

## **100G LR4 QSFP Transceiver Optic Fiber 100G 1310nm 10KM SMF 100GB SFP**

### **Product Details:**

Place of Origin: Shenzhen, China

Brand Name: OPTICO or OEM

Model Number: QSFP-100G-LR4

Name: QSFP Transceiver

Data Rate: 100G

Wavelength: 1310nm

Source: DFB+PIN

Temperature: 0-70°C

Distance: 10km

Connector: LC

DDM: With

Certification: CE,RoHs,FCC

Status: brand new.

Selling Units: Single item

Single package size: 10X5X3 cm

Single gross weight: 0.02 kg

Package Type: in blister package, suitable quantity per carton.

100G LR4 QSFP transceiver optic fiber 100G 1310nm 10KM SMF 100gb SFP

### **Product Descriptions:**

An optical module is composed of optoelectronic devices, functional circuits, and optical interfaces. Optoelectronic devices include two parts: transmitting and receiving.

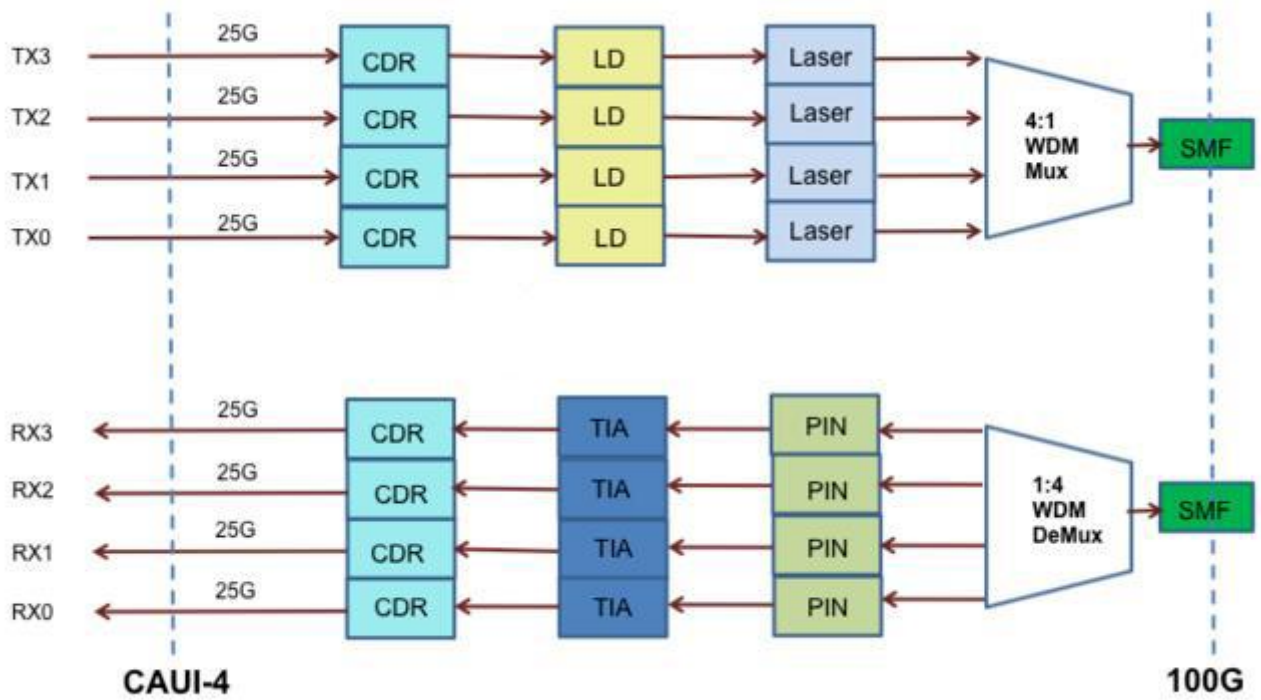
To put it simply, the role of the optical module is photoelectric conversion. The transmitting end converts the electrical signal into an optical signal. After transmitting through the optical fiber, the receiving end converts the optical signal into an electrical signal.



**structure:**

The transmitting part is: an electric signal with a certain bit rate is input and processed by an internal driver chip to drive a semiconductor laser (LD) or a light emitting diode (LED) to emit a modulated optical signal at a corresponding rate, and an internal optical power automatic control circuit is provided to enable the The output optical signal power remains stable.

The receiving part is: after the optical signal of a certain code rate is input to the module, it is converted into an electric signal by the light detection diode, and the electric signal of the corresponding code rate is output after the preamplifier.



**Applications:**

1. Data center core switch, router, host adapter main line
2. Enterprise Storage
3. High-density, high-speed I/O
4. Multi-channel interconnection

**Parameters:**

Model	QSFP-100G-LR4	Brand	OPTICO
Form Type	QSFP	TX Power	-8~2dBm
Data Rate	100Gbps	RX Sens	-14.1dBm
Wavelength	1310nm	Media Type	SMF
Reach	10Km	DDM	With
Connector	LC	Weight	0.02Kg
Source	DFB+PIN	Delivery Time	3 Days
Temperature	0°C~+70 °C	HTS-Harmonized Code	8517706000