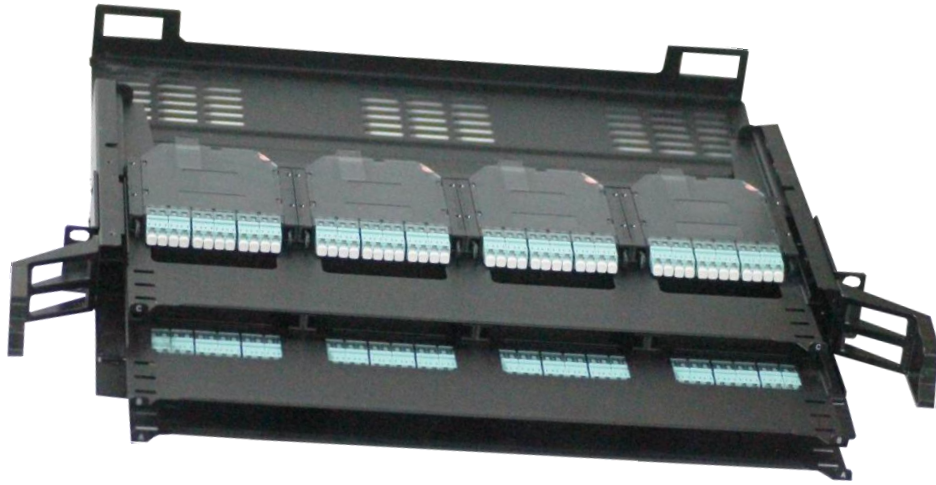


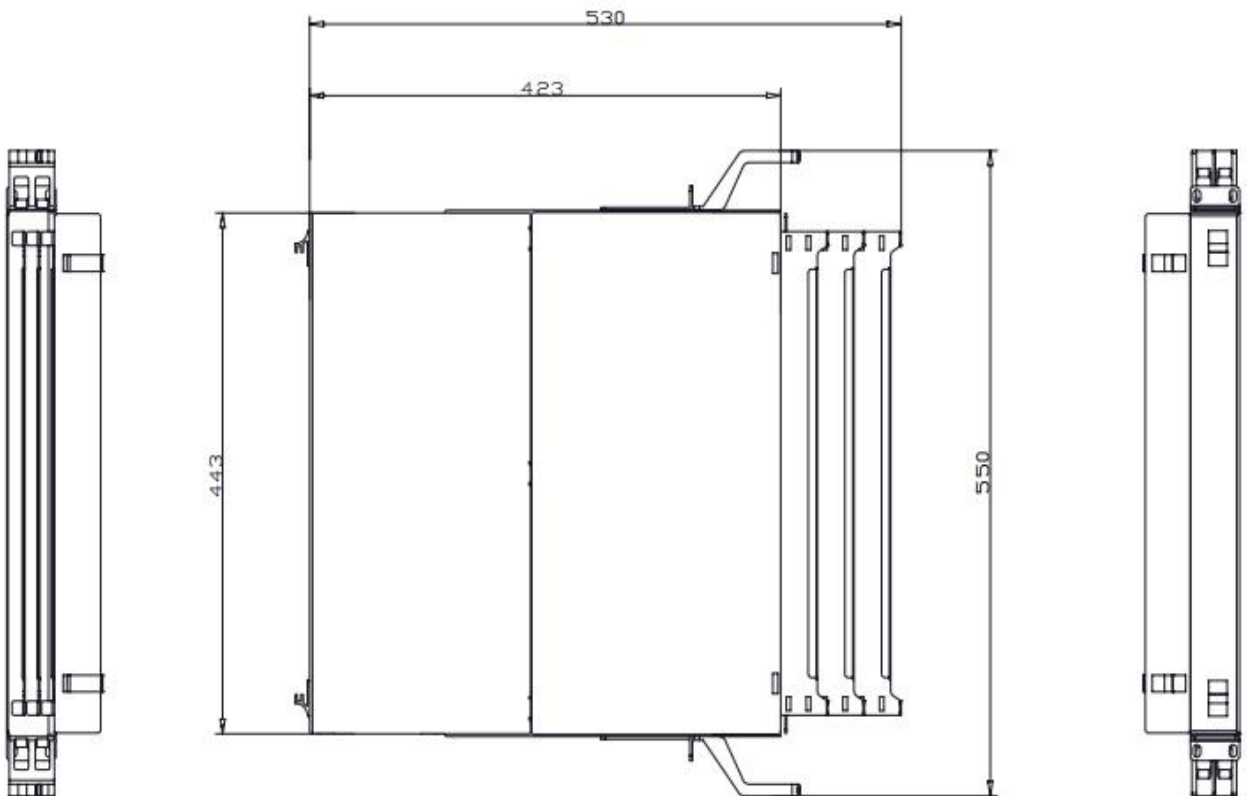
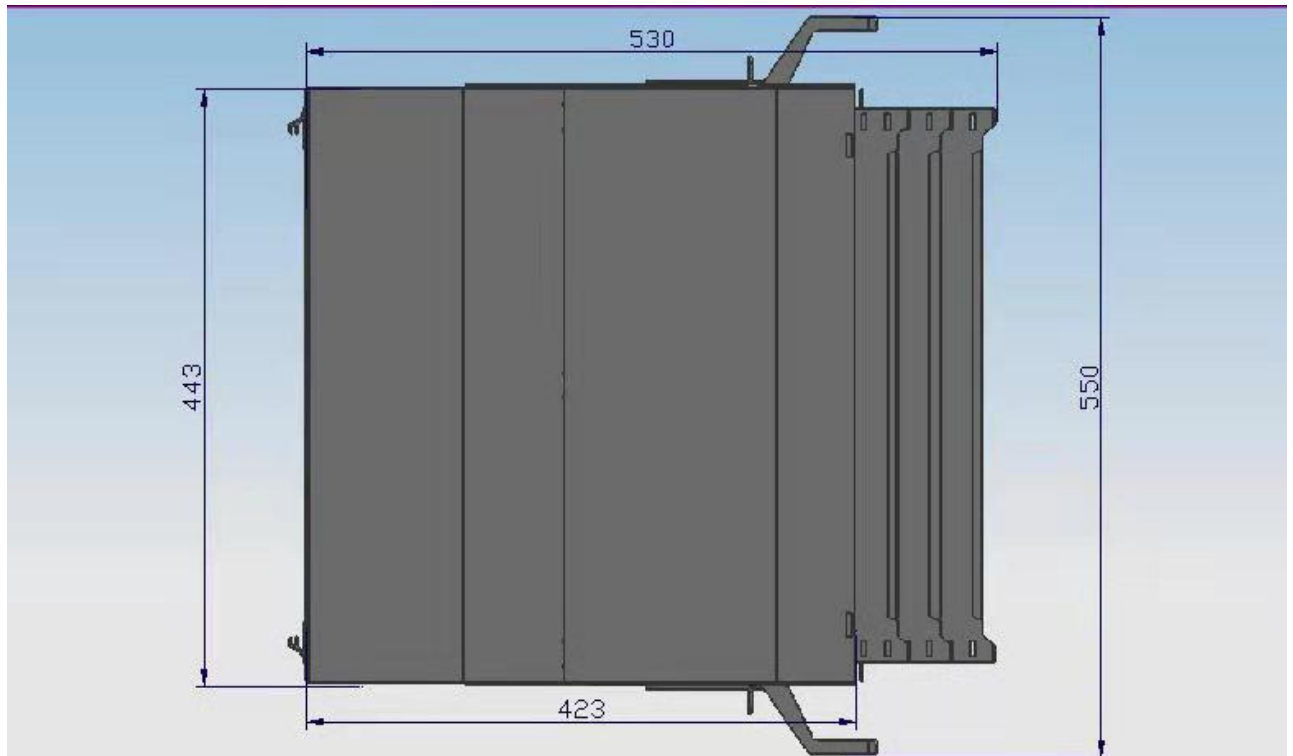
# YNSS-NT989



A, B, C three layers ←



## Product drawings



**■ Products Description**

NT989 is MPO/MTP® pre-terminated ultra-high density wiring box, 19 inches, 1U height reaches 144 cores, can be applied to data center, computer room, computer center and other high-density wiring places, front and rear removable upper cover, pull-out double the use of guide rails, detachable front bezels, ABS lightweight modular boxes, etc., makes the NT989 easy to use in high-density scenes, whether in cable or cable. The NT989 has A, B, C three layers of trays, each with independent aluminum guide rails and a sliding distance of 110mm. 4 x 12F MPO/MTP® module boxes can be installed in each tray, and each module box can be installed with 6 x DLC adapters to achieve 12 cores. Each module box has a separate ABS rail that can be easily installed without restrictions.

**■ Keyed Characteristics**

1. Ultra-high density wiring application scenario;
2. Standard 19-inch width;
3. Ultra high density reaches 1U 144 cores;
4. Double rail design for easy installation and maintenance;
5. Lightweight ABS material MPO/MTP module box;
6. Spray surface treatment process;
7. Customized color and silk screen LOGO.

**■ Technical Details**

Executive standard	YD/T788 optical distribution frame
Connector 1	MPO/MTP®
Connector 2	LC UPC
Fiber Mode Connection	Single-mode OS2 & Multi-mode OM3/OM4
Working temperature	- 5 °C ~ + 40 °C
Storage temperature	- 25 °C ~ + 55 °C
Salt spray test	72 hours
Relative humidity	≤95% (at +40 °C)
Atmospheric pressure	76-106kpa
Withstand voltage level	≤3000V (DC)
Insertion loss	UPC≤0.2dB; APC≤0.3dB
Return loss	UPC≥50dB; APC≥60dB
Plugging durability	≥1000 times
ASTM rating	4B
Adhesion	ISO rating

**■ Ordering Information**

P/N	Size (mm)	Max. Fibers	Pack Size	Color	Accessories
NT989		144		Black (RAL9005) Beige(RAL1001)	15pcs cable tie 12pcs Hook-and-Loop Fasteners 6pcs winding tube