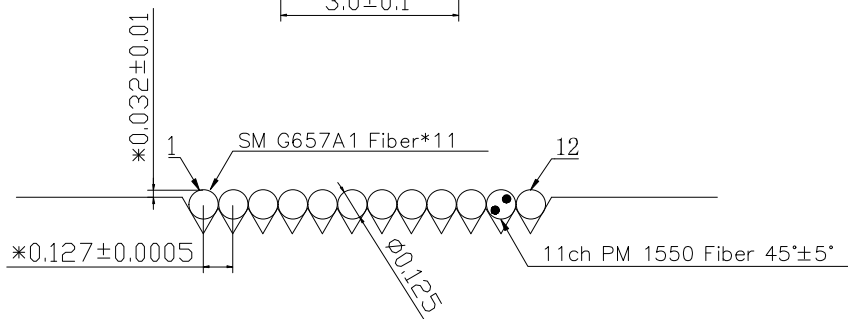
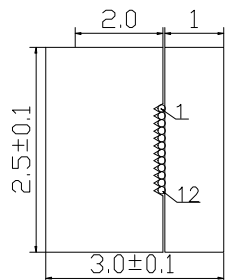
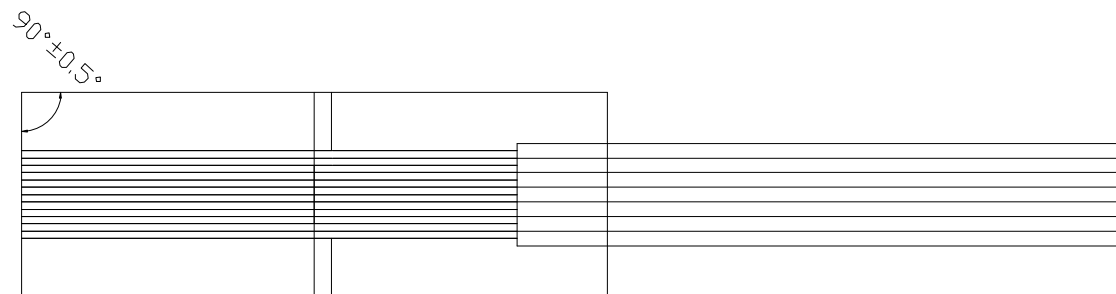
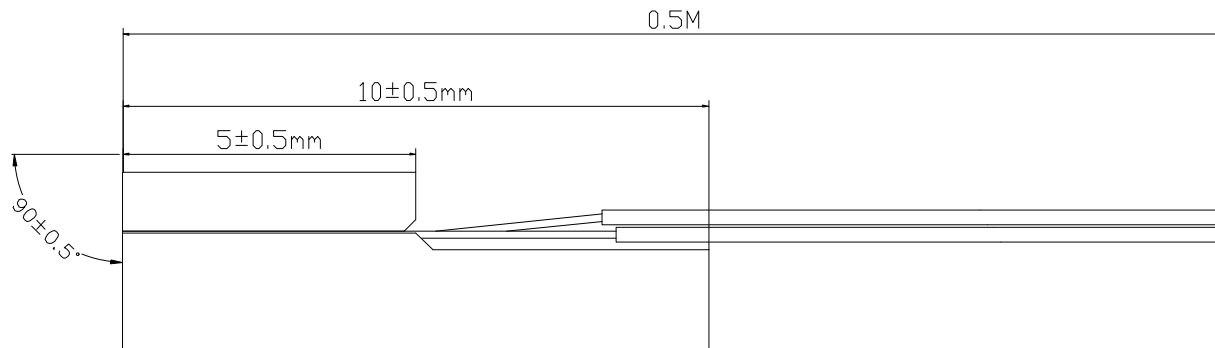
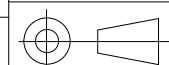


REV.	DATE	REV.	REV.
A0	2022/03/08	NEW	

其余 0.8



X° ± 0.5°	UNITS: mm	DATE:	Optico Communion Co., Ltd.		
.X° ± 0.1°		2022/03/08	NAME:		
.XX° ± 0.05°	MAT'L:	PART NO:	11CH SM G657A1+1CH PM1550 Fiber		
.XXX° ± 0.01°		NOTES	DWG NO:		
X. ± 0.1	FINISH: NOTES	APPD:			
.X ± 0.05		CHKD:			
.XX ± 0.01	Q'TY:	DR:			
.XXX ± 0.001					



SCALE	SHEET	REV.
1:1	1/1	1.0