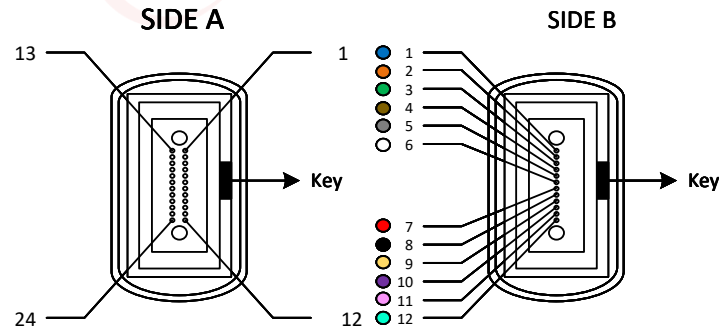


Type A (TIA)

Fiber No.			Color	Fiber No.			Color
24C MTP		12C MTP		24C MTP		12C MTP	
1	↔	1	BLUE	13	↔	1	*BLUE
2	↔	2	ORANGE	14	↔	2	*ORANGE
3	↔	3	GREEN	15	↔	3	*GREEN
4	↔	4	BROWN	16	↔	4	*BROWN
5	↔	5	GRAY	17	↔	5	*GRAY
6	↔	6	WHITE	18	↔	6	*WHITE
7	↔	7	RED	19	↔	7	*RED
8	↔	8	BLACK	20	↔	8	*BLACK
9	↔	9	YELLOW	21	↔	9	*YELLOW
10	↔	10	VIOLET	22	↔	10	*VIOLET
11	↔	11	PINK	23	↔	11	*PINK
12	↔	12	AQUA	24	↔	12	*AQUA



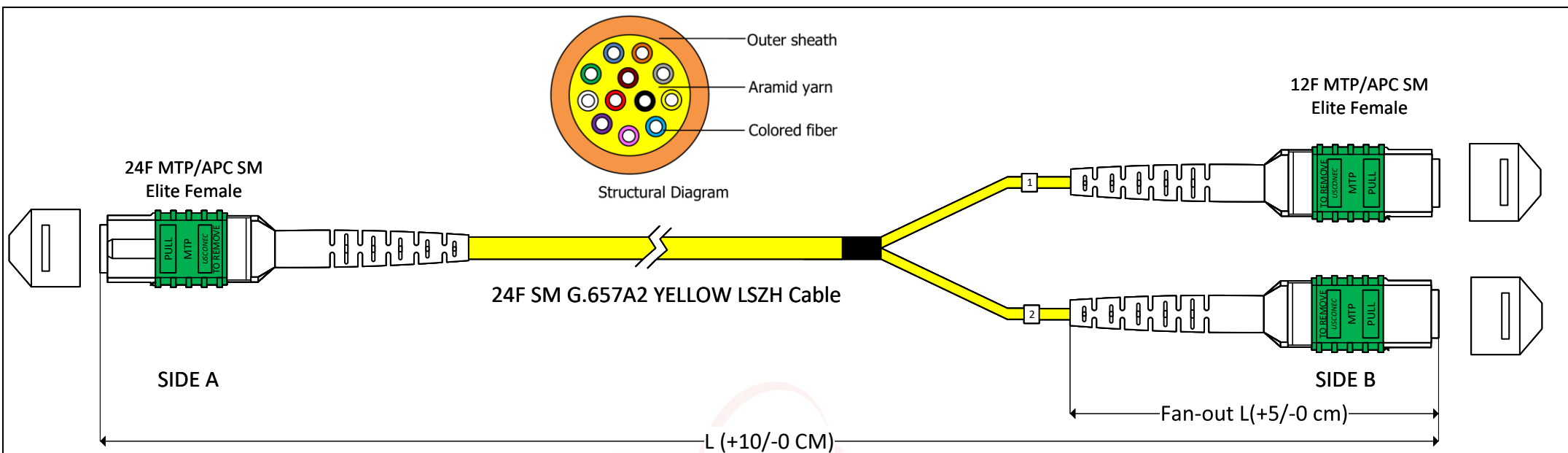
Specification:

- 1.Low Loss IL: $\leq 0.35\text{dB}$;
Ultra-low loss: $\leq 0.25\text{dB}$
- 2.Return Loss: $\geq 65\text{dB}$
- 3.Operation Environment: $-40\sim+85^{\circ}\text{C}$
- 4.Storage Environment: $-40\sim+85^{\circ}\text{C}$



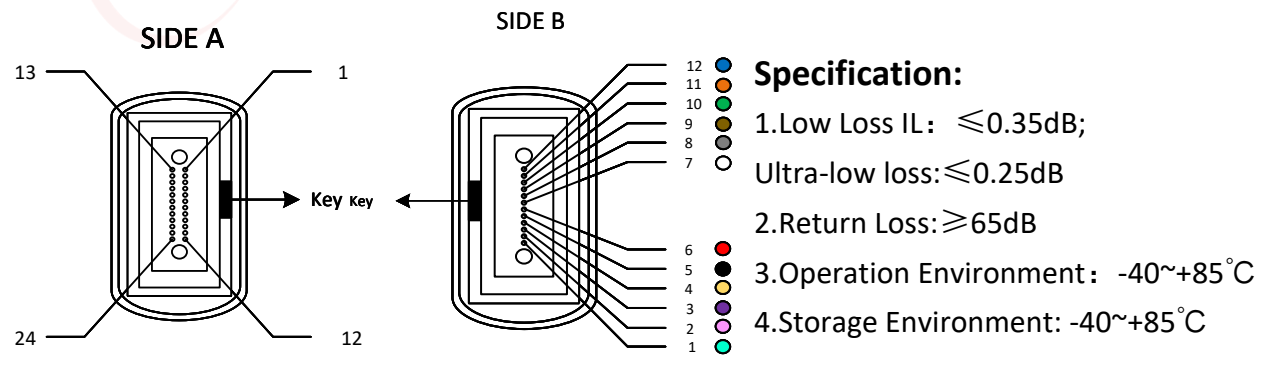
SHENZHEN OPTICO COMMUNICATION CO., LTD.

Model	24F MTPAPC Female-2X12F MTPAPC Female Type A SM G657A2 3.0mm Yellow LSZH CPR-Dca Cable					OP-24F-MTPF-Y-APC-FP-SM-A			
FIRST ANGLE PROJECTION	MATERIAL	UNIT	SCALE	SIZE	SHEET	DRAWN	XUELING W	DATE	2025.04.25
	LSZH	m	/	A4	1	CHECKED	Michael Liu	DATE	2025.04.25
						APPROVED	STEVEN Zhang	DATE	2025.04.25




Type B (TIA)

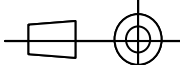
Fiber No.			Color	Fiber No.			Color
24C MTP		12C MTP 1		24C MTP		12C MTP 2	
1	↔	12	BLUE	13	↔	12	*BLUE
2	↔	11	ORANGE	14	↔	11	*ORANGE
3	↔	10	GREEN	15	↔	10	*GREEN
4	↔	9	BROWN	16	↔	9	*BROWN
5	↔	8	GRAY	17	↔	8	*GRAY
6	↔	7	WHITE	18	↔	7	*WHITE
7	↔	6	RED	19	↔	6	*RED
8	↔	5	BLACK	20	↔	5	*BLACK
9	↔	4	YELLOW	21	↔	4	*YELLOW
10	↔	3	VIOLET	22	↔	3	*VIOLET
11	↔	2	PINK	23	↔	2	*PINK
12	↔	1	AQUA	24	↔	1	*AQUA

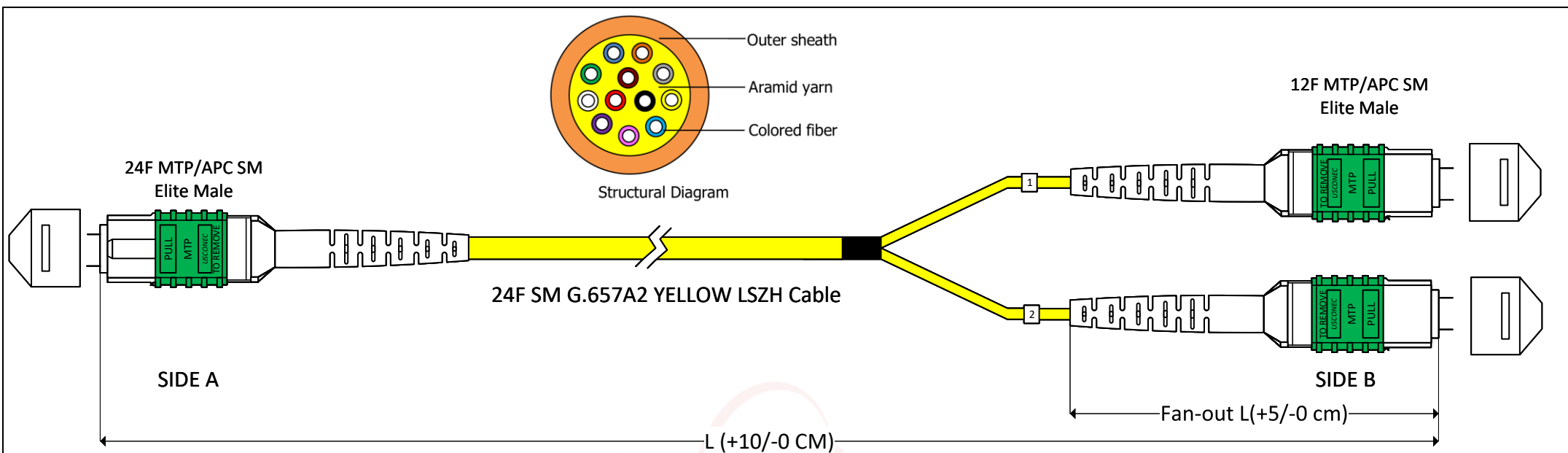


- Specification:**
- Low Loss IL: $\leq 0.35\text{dB}$;
Ultra-low loss: $\leq 0.25\text{dB}$
 - Return Loss: $\geq 65\text{dB}$
 - Operation Environment: $-40\sim+85^{\circ}\text{C}$
 - Storage Environment: $-40\sim+85^{\circ}\text{C}$



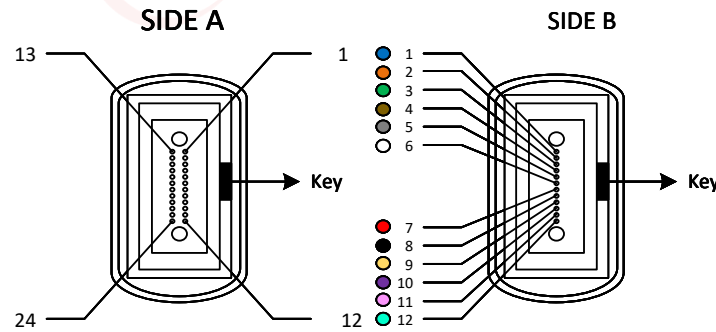
SHENZHEN OPTICO COMMUNICATION CO., LTD.

Model	24F MTPAPC Female-2X12F MTPAPC Female Type B SM G657A2 3.0mm Yellow LSZH CPR-Dca Cable					OP-24F-MTPF-Y-APC-FP-SM-B			
FIRST ANGLE PROJECTION 	MATERIAL	UNIT	SCALE	SIZE	SHEET	DRAWN	XUELING W	DATE	2025.04.25
	LSZH	m	/	A4	1	CHECKED	Michael Liu	DATE	2025.04.25
							APPROVED	STEVEN Zhang	DATE



Type A (TIA)

Fiber No.			Color	Fiber No.			Color
24C MTP		12C MTP		24C MTP		12C MTP	
1	↔	1	BLUE	13	↔	1	*BLUE
2	↔	2	ORANGE	14	↔	2	*ORANGE
3	↔	3	GREEN	15	↔	3	*GREEN
4	↔	4	BROWN	16	↔	4	*BROWN
5	↔	5	GRAY	17	↔	5	*GRAY
6	↔	6	WHITE	18	↔	6	*WHITE
7	↔	7	RED	19	↔	7	*RED
8	↔	8	BLACK	20	↔	8	*BLACK
9	↔	9	YELLOW	21	↔	9	*YELLOW
10	↔	10	VIOLET	22	↔	10	*VIOLET
11	↔	11	PINK	23	↔	11	*PINK
12	↔	12	AQUA	24	↔	12	*AQUA



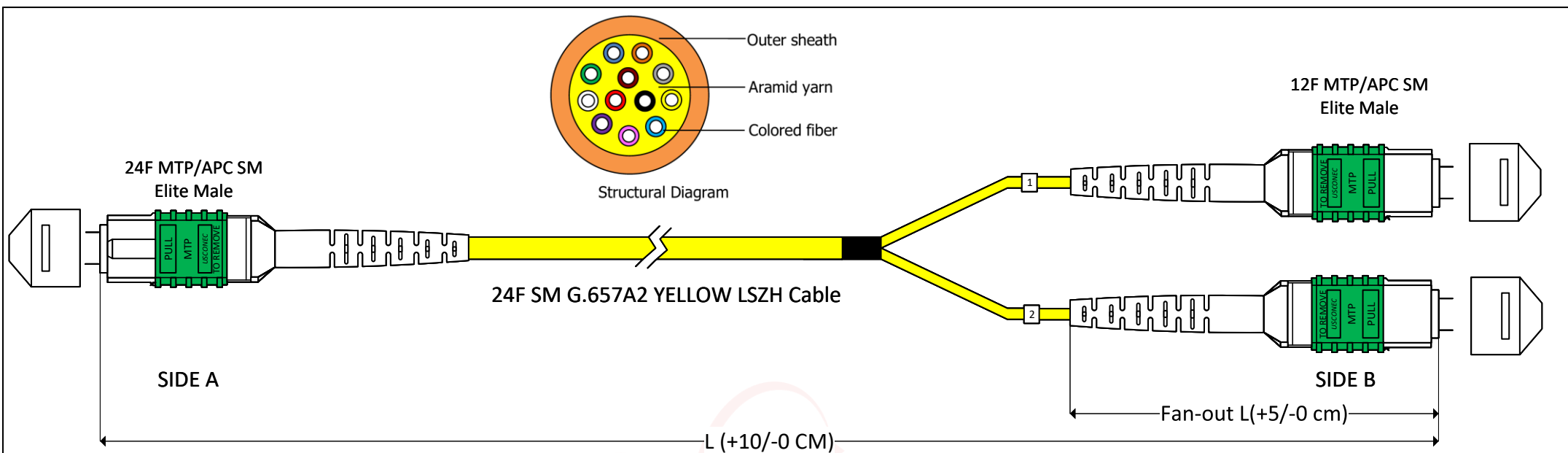
Specification:

1. Low Loss IL: $\leq 0.35\text{dB}$;
Ultra-low loss: $\leq 0.25\text{dB}$
2. Return Loss: $\geq 65\text{dB}$
3. Operation Environment: $-40\sim+85^{\circ}\text{C}$
4. Storage Environment: $-40\sim+85^{\circ}\text{C}$



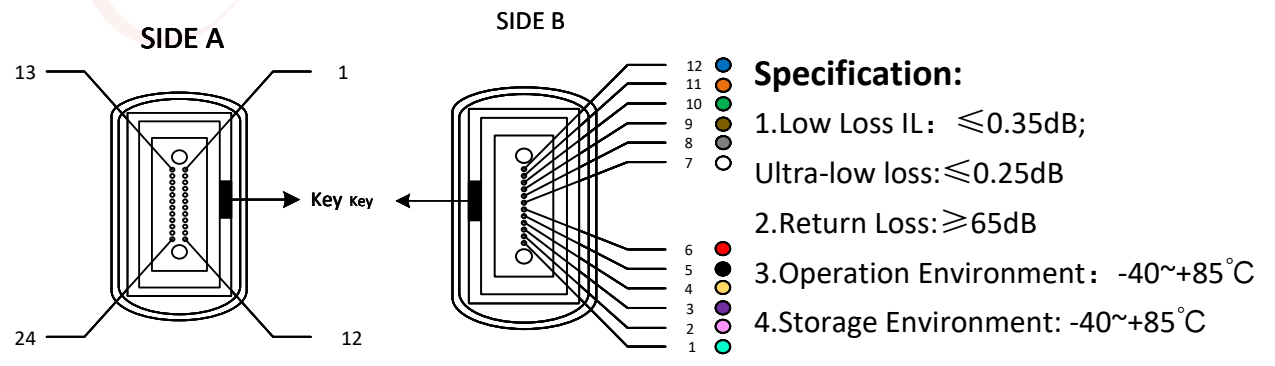
SHENZHEN OPTICO COMMUNICATION CO., LTD.

Model	24F MTPAPC male-2X12F MTPAPC male Type A SM G657A2 3.0mm Yellow LSZH CPR-Dca Cable					OP-24F-MTPM-Y-APC-FP-SM-A			
FIRST ANGLE PROJECTION	MATERIAL	UNIT	SCALE	SIZE	SHEET	DRAWN	XUELING W	DATE	2025.04.25
	LSZH	m	/	A4	1	CHECKED	Michael Liu	DATE	2025.04.25
						APPROVED	STEVEN Zhang	DATE	2025.04.25



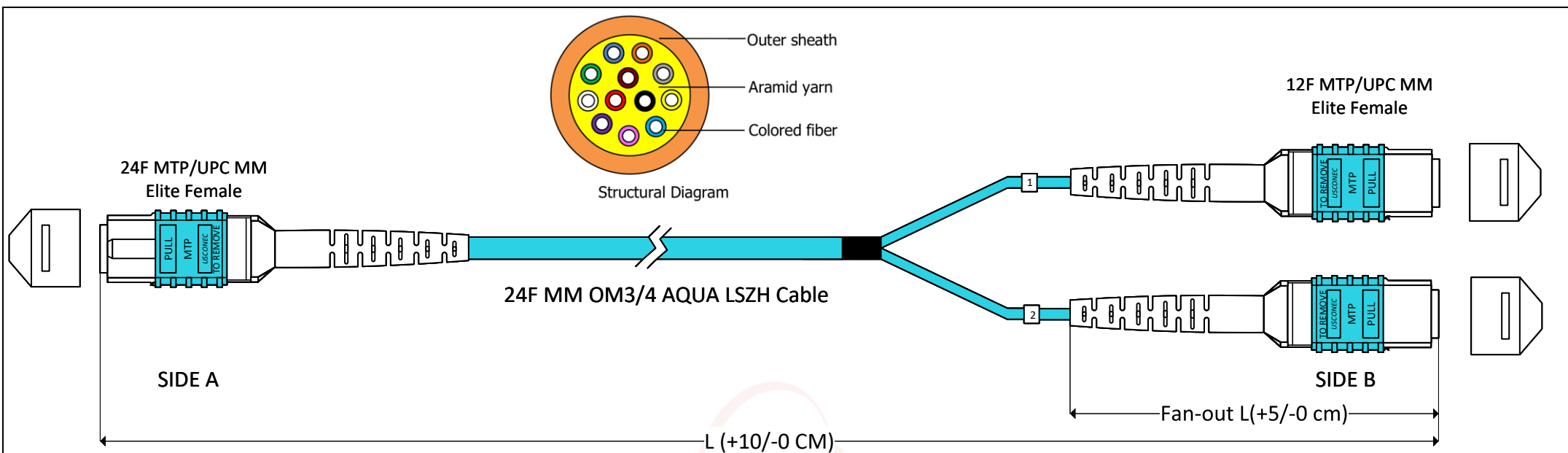
Type B (TIA)

Fiber No.			Color	Fiber No.			Color
24C MTP		12C MTP 1		24C MTP		12C MTP 2	
1	↔	12	BLUE	13	↔	12	*BLUE
2	↔	11	ORANGE	14	↔	11	*ORANGE
3	↔	10	GREEN	15	↔	10	*GREEN
4	↔	9	BROWN	16	↔	9	*BROWN
5	↔	8	GRAY	17	↔	8	*GRAY
6	↔	7	WHITE	18	↔	7	*WHITE
7	↔	6	RED	19	↔	6	*RED
8	↔	5	BLACK	20	↔	5	*BLACK
9	↔	4	YELLOW	21	↔	4	*YELLOW
10	↔	3	VIOLET	22	↔	3	*VIOLET
11	↔	2	PINK	23	↔	2	*PINK
12	↔	1	AQUA	24	↔	1	*AQUA



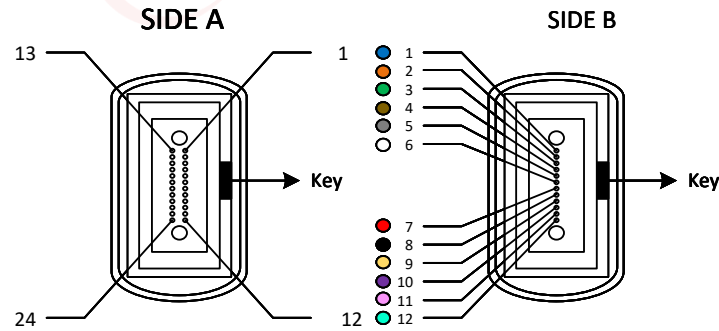
Optico SHENZHEN OPTICO COMMUNICATION CO., LTD.

Model	24F MTPAPC Male-2X12F MTPAPC Male Type B SM G657A2 3.0mm Yellow LSZH CPR-Dca Cable					OP-24F-MTPM-Y-APC-FP-SM-B			
FIRST ANGLE PROJECTION	MATERIAL	UNIT	SCALE	SIZE	SHEET	DRAWN	XUELING W	DATE	2025.04.25
	LSZH	m	/	A4	1	CHECKED	Michael Liu	DATE	2025.04.25
						APPROVED	STEVEN Zhang	DATE	2025.04.25




Type A (TIA)

Fiber No.			Color	Fiber No.			Color
24C MTP	12C MTP	1		24C MTP	12C MTP	2	
1	↔	1	BLUE	13	↔	1	*BLUE
2	↔	2	ORANGE	14	↔	2	*ORANGE
3	↔	3	GREEN	15	↔	3	*GREEN
4	↔	4	BROWN	16	↔	4	*BROWN
5	↔	5	GRAY	17	↔	5	*GRAY
6	↔	6	WHITE	18	↔	6	*WHITE
7	↔	7	RED	19	↔	7	*RED
8	↔	8	BLACK	20	↔	8	*BLACK
9	↔	9	YELLOW	21	↔	9	*YELLOW
10	↔	10	VIOLET	22	↔	10	*VIOLET
11	↔	11	PINK	23	↔	11	*PINK
12	↔	12	AQUA	24	↔	12	*AQUA

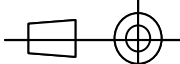


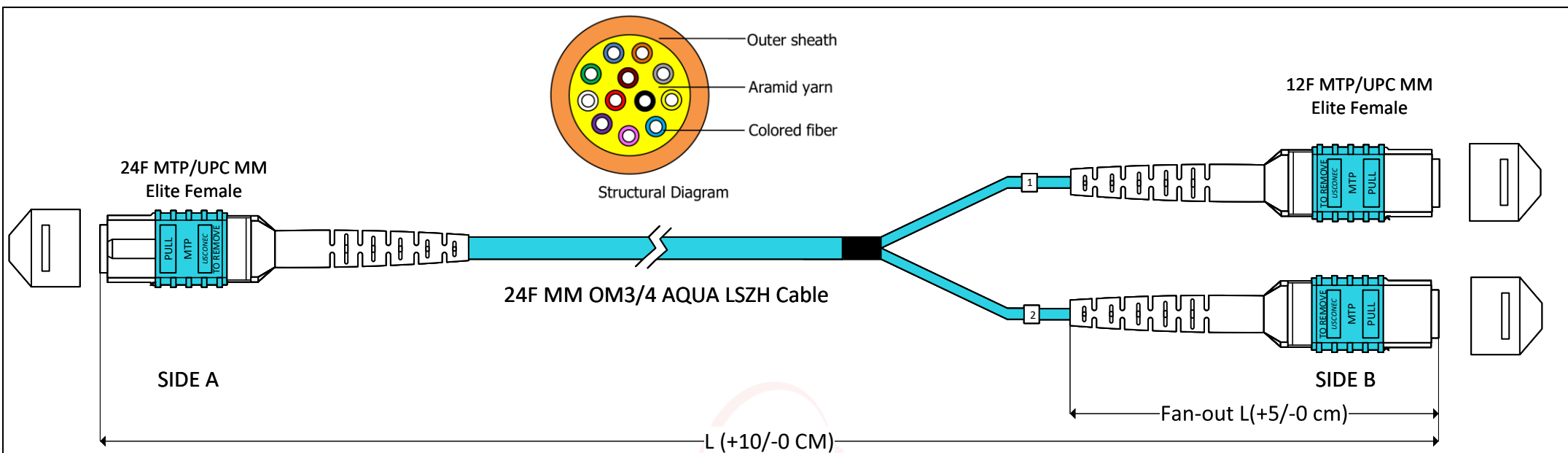
Specification:

1. Low Loss IL: $\leq 0.35\text{dB}$;
Ultra-low loss: $\leq 0.25\text{dB}$
2. Return Loss: $\geq 35\text{dB}$
3. Operation Environment: $-40\sim+85^{\circ}\text{C}$
4. Storage Environment: $-40\sim+85^{\circ}\text{C}$



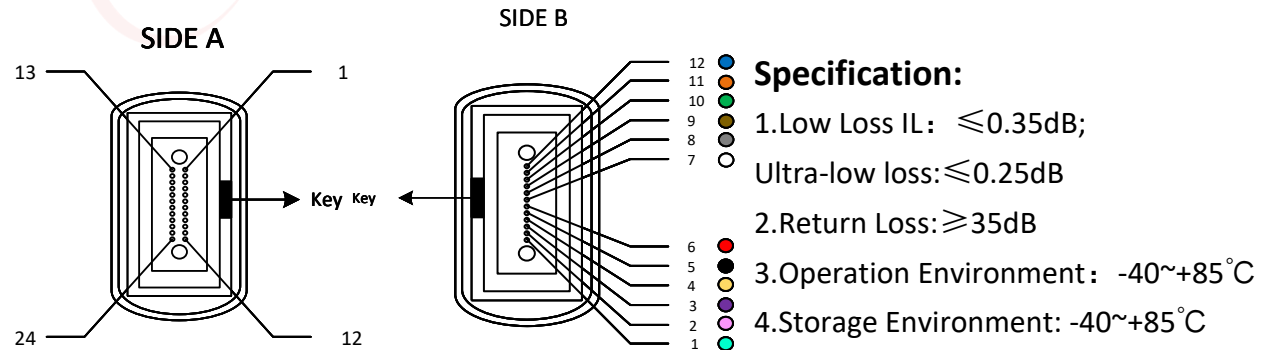
SHENZHEN OPTICO COMMUNICATION CO., LTD.

Model	24F MTPUPC Female-2X12F MTPUPC Female Type A MM OM3/4 3.0mm Aqua LSZH CPR- Dca Cable	OP-24F-MTPF-Y-UPC-FP-MM-A							
FIRST ANGLE PROJECTION 	MATERIAL	UNIT	SCALE	SIZE	SHEET	DRAWN	XUELING W	DATE	2025.04.25
	LSZH	m	/	A4	1	CHECKED	Michael Liu	DATE	2025.04.25
							APPROVED	STEVEN Zhang	DATE



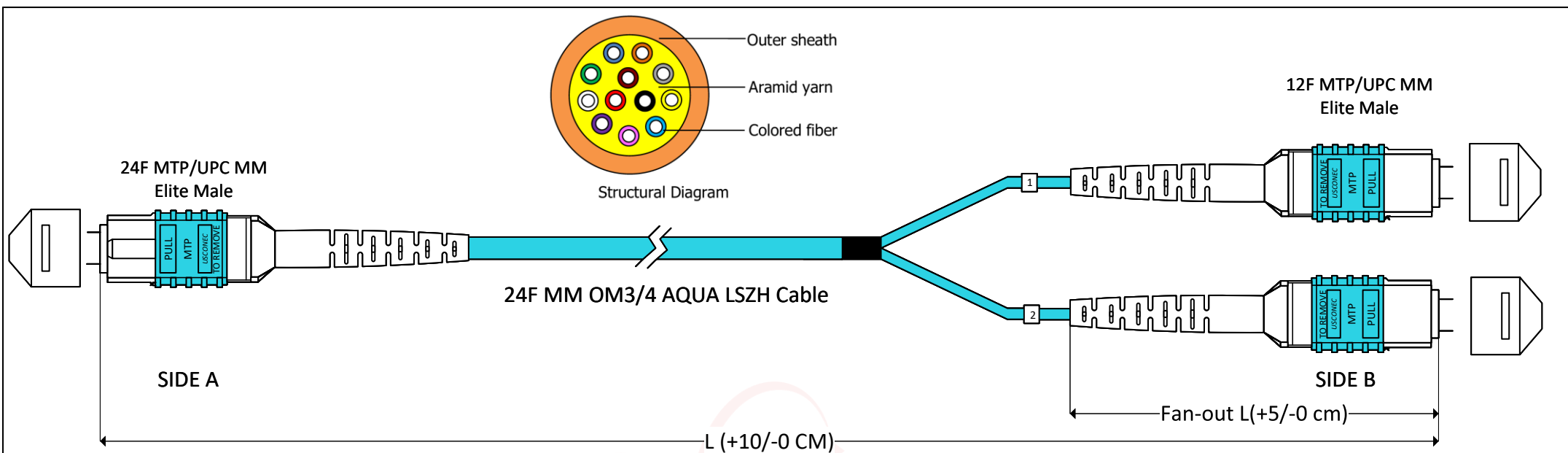
Type B (TIA)

Fiber No.			Color	Fiber No.			Color
24C MTP		12C MTP 1		24C MTP		12C MTP 2	
1	↔	12	BLUE	13	↔	12	*BLUE
2	↔	11	ORANGE	14	↔	11	*ORANGE
3	↔	10	GREEN	15	↔	10	*GREEN
4	↔	9	BROWN	16	↔	9	*BROWN
5	↔	8	GRAY	17	↔	8	*GRAY
6	↔	7	WHITE	18	↔	7	*WHITE
7	↔	6	RED	19	↔	6	*RED
8	↔	5	BLACK	20	↔	5	*BLACK
9	↔	4	YELLOW	21	↔	4	*YELLOW
10	↔	3	VIOLET	22	↔	3	*VIOLET
11	↔	2	PINK	23	↔	2	*PINK
12	↔	1	AQUA	24	↔	1	*AQUA



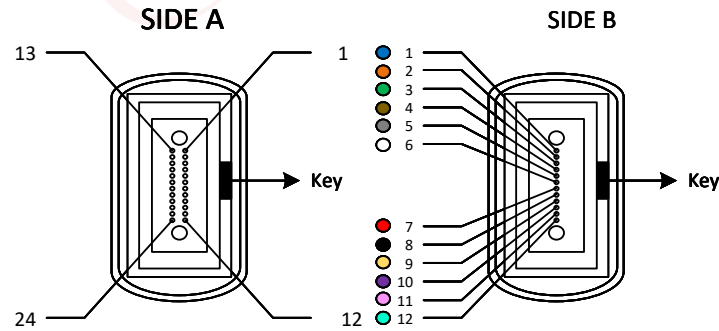
Optico SHENZHEN OPTICO COMMUNICATION CO., LTD.

Model	24F MTPUPC Female-2X12F MTPUPC Female Type B MM OM3/4 3.0mm Aqua LSZH CPR-Dca Cable					OP-24F-MTPF-Y-UPC-FP-MM-B			
FIRST ANGLE PROJECTION	MATERIAL	UNIT	SCALE	SIZE	SHEET	DRAWN	XUELING W	DATE	2025.04.25
	LSZH	m	/	A4	1	CHECKED	Michael Liu	DATE	2025.04.25
						APPROVED	STEVEN Zhang	DATE	2025.04.25



Type A (TIA)

Fiber No.			Color	Fiber No.			Color
24C MTP		12C MTP 1		24C MTP		12C MTP 2	
1	↔	1	BLUE	13	↔	1	*BLUE
2	↔	2	ORANGE	14	↔	2	*ORANGE
3	↔	3	GREEN	15	↔	3	*GREEN
4	↔	4	BROWN	16	↔	4	*BROWN
5	↔	5	GRAY	17	↔	5	*GRAY
6	↔	6	WHITE	18	↔	6	*WHITE
7	↔	7	RED	19	↔	7	*RED
8	↔	8	BLACK	20	↔	8	*BLACK
9	↔	9	YELLOW	21	↔	9	*YELLOW
10	↔	10	VIOLET	22	↔	10	*VIOLET
11	↔	11	PINK	23	↔	11	*PINK
12	↔	12	AQUA	24	↔	12	*AQUA



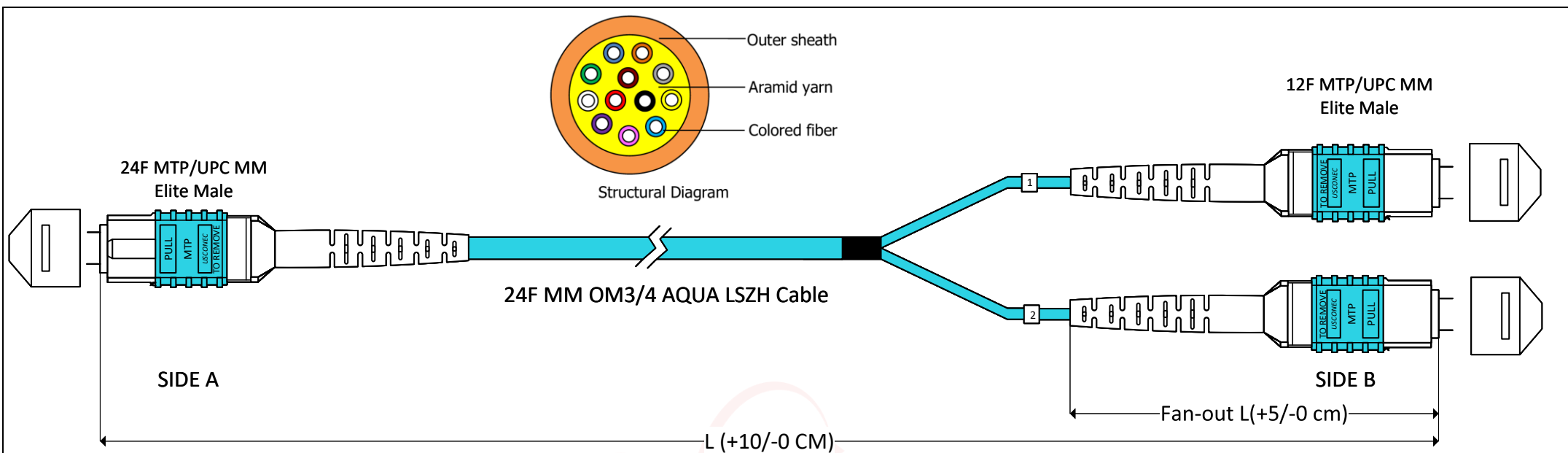
Specification:

- 1.Low Loss IL: $\leq 0.35\text{dB}$;
Ultra-low loss: $\leq 0.25\text{dB}$
- 2.Return Loss: $\geq 35\text{dB}$
- 3.Operation Environment: $-40\sim+85^{\circ}\text{C}$
- 4.Storage Environment: $-40\sim+85^{\circ}\text{C}$



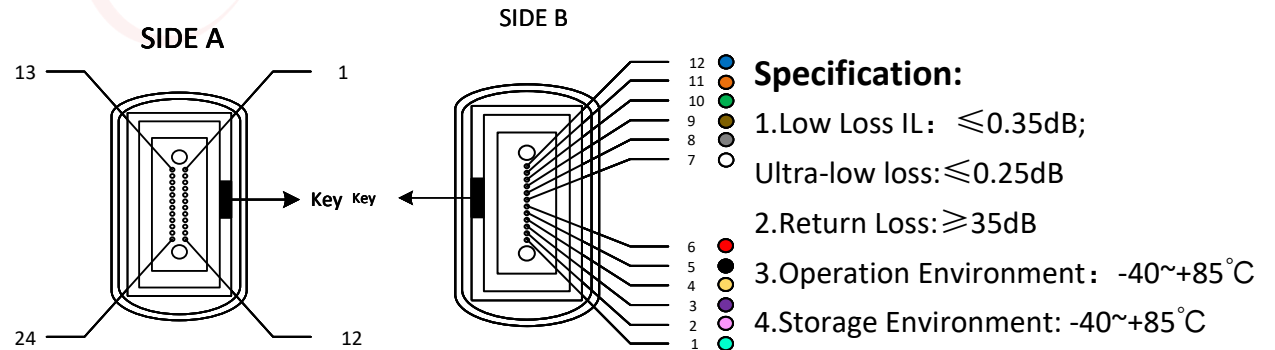
SHENZHEN OPTICO COMMUNICATION CO., LTD.

Model	24F MTPUPC Male-2X12F MTPUPC Male Type A MM OM3/4 3.0mm Aqua LSZH CPR-Dca Cable					OP-24F-MTPM-Y-UPC-FP-MM-A			
FIRST ANGLE PROJECTION	MATERIAL	UNIT	SCALE	SIZE	SHEET	DRAWN	XUELING W	DATE	2025.04.25
	LSZH	m	/	A4	1	CHECKED	Michael Liu	DATE	2025.04.25
						APPROVED	STEVEN Zhang	DATE	2025.04.25



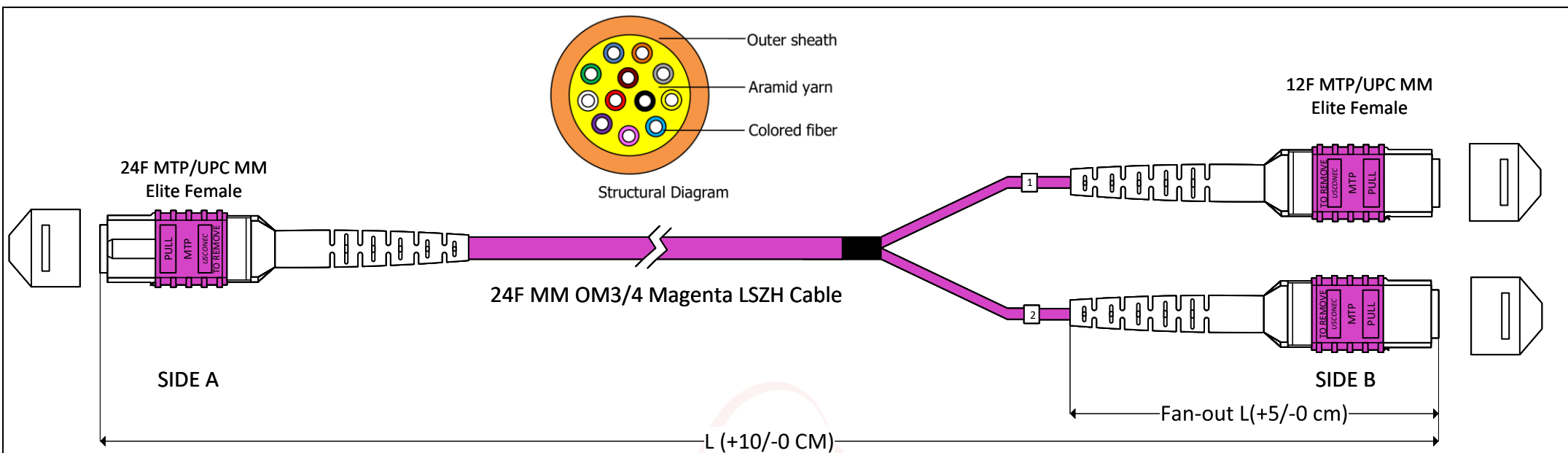
Type B (TIA)

Fiber No.			Color	Fiber No.			Color
24C MTP		12C MTP 1		24C MTP		12C MTP 2	
1	↔	12	BLUE	13	↔	12	*BLUE
2	↔	11	ORANGE	14	↔	11	*ORANGE
3	↔	10	GREEN	15	↔	10	*GREEN
4	↔	9	BROWN	16	↔	9	*BROWN
5	↔	8	GRAY	17	↔	8	*GRAY
6	↔	7	WHITE	18	↔	7	*WHITE
7	↔	6	RED	19	↔	6	*RED
8	↔	5	BLACK	20	↔	5	*BLACK
9	↔	4	YELLOW	21	↔	4	*YELLOW
10	↔	3	VIOLET	22	↔	3	*VIOLET
11	↔	2	PINK	23	↔	2	*PINK
12	↔	1	AQUA	24	↔	1	*AQUA



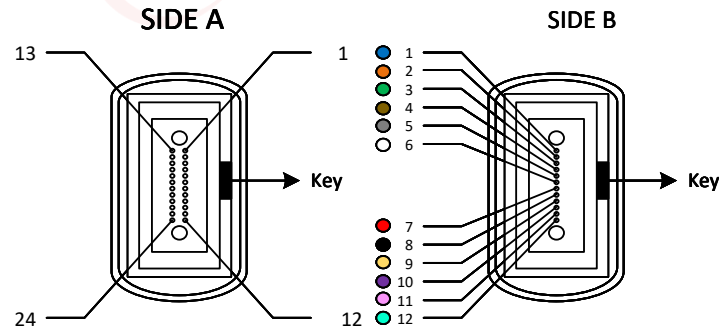
Optico SHENZHEN OPTICO COMMUNICATION CO., LTD.

Model	24F MTPUPC male-2X12F MTPUPC male Type B MM OM3/4 3.0mm Aqua LSZH CPR-Dca Cable					OP-24F-MTPM-Y-UPC-FP-MM-B			
FIRST ANGLE PROJECTION	MATERIAL	UNIT	SCALE	SIZE	SHEET	DRAWN	XUELING W	DATE	2025.04.25
	LSZH	m	/	A4	1	CHECKED	Michael Liu	DATE	2025.04.25
						APPROVED	STEVEN Zhang	DATE	2025.04.25




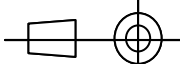
Type A (TIA)

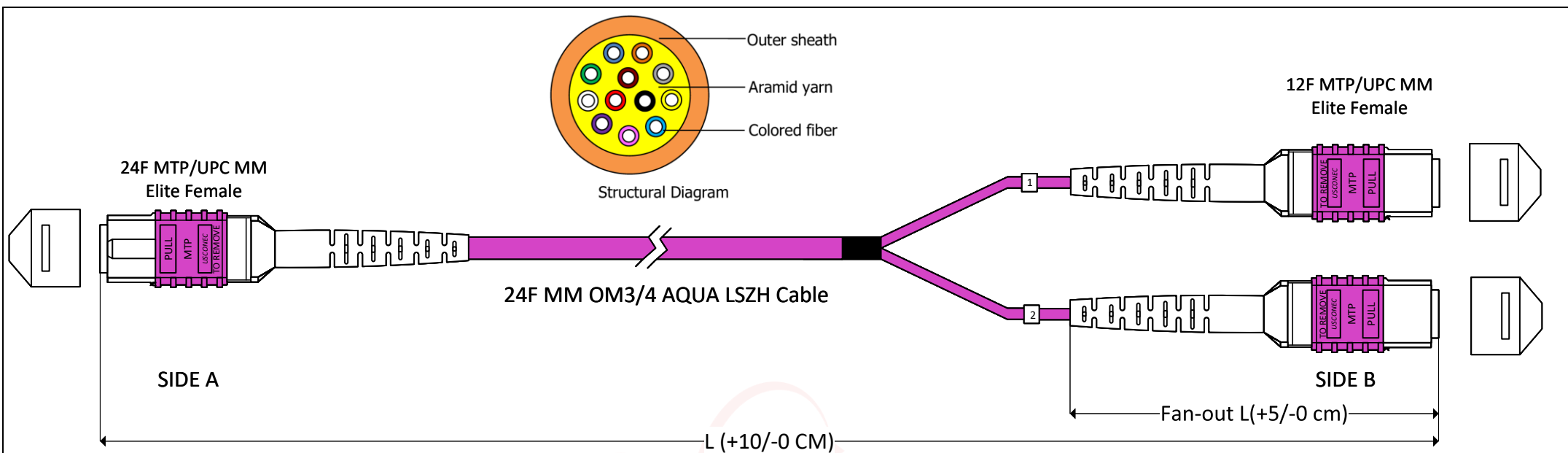
Fiber No.			Color	Fiber No.			Color
24C MTP		12C MTP 1		24C MTP		12C MTP 2	
1	↔	1	BLUE	13	↔	1	*BLUE
2	↔	2	ORANGE	14	↔	2	*ORANGE
3	↔	3	GREEN	15	↔	3	*GREEN
4	↔	4	BROWN	16	↔	4	*BROWN
5	↔	5	GRAY	17	↔	5	*GRAY
6	↔	6	WHITE	18	↔	6	*WHITE
7	↔	7	RED	19	↔	7	*RED
8	↔	8	BLACK	20	↔	8	*BLACK
9	↔	9	YELLOW	21	↔	9	*YELLOW
10	↔	10	VIOLET	22	↔	10	*VIOLET
11	↔	11	PINK	23	↔	11	*PINK
12	↔	12	AQUA	24	↔	12	*AQUA



Specification:

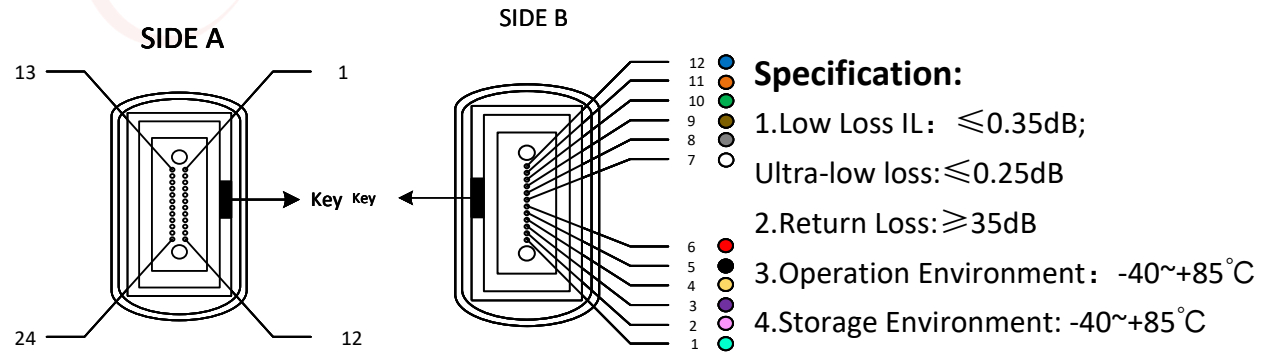
- 1.Low Loss IL: $\leq 0.35\text{dB}$;
Ultra-low loss: $\leq 0.25\text{dB}$
- 2.Return Loss: $\geq 35\text{dB}$
- 3.Operation Environment: $-40\sim+85^{\circ}\text{C}$
- 4.Storage Environment: $-40\sim+85^{\circ}\text{C}$

 SHENZHEN OPTICO COMMUNICATION CO., LTD.									
Model	24F MTPUPC Female-2X12F MTPUPC Female Type A MM OM3/4 3.0mm Magenta LSZH CPR-Dca Cable	OP-24F-MTPF-Y-UPC-FP-MM-A							
FIRST ANGLE PROJECTION 	MATERIAL	UNIT	SCALE	SIZE	SHEET	DRAWN	XUELING W	DATE	2025.04.25
	LSZH	m	/	A4	1	CHECKED	Michael Liu	DATE	2025.04.25
						APPROVED	STEVEN Zhang	DATE	2025.04.25



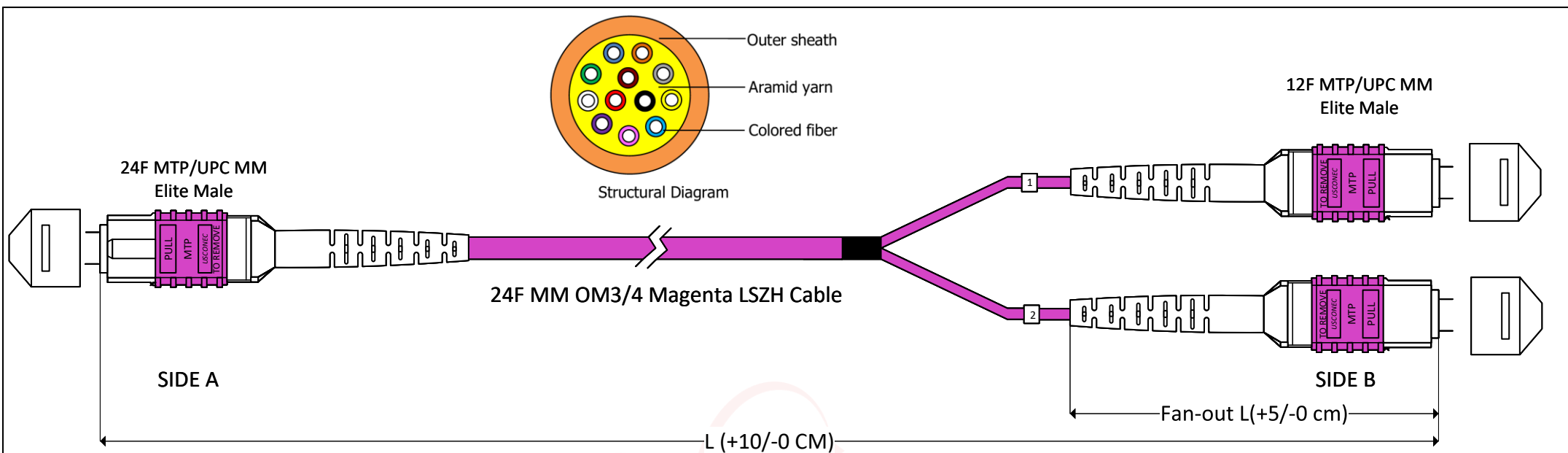
Type B (TIA)

Fiber No.			Color	Fiber No.			Color
24C MTP		12C MTP 1		24C MTP		12C MTP 2	
1	↔	12	BLUE	13	↔	12	*BLUE
2	↔	11	ORANGE	14	↔	11	*ORANGE
3	↔	10	GREEN	15	↔	10	*GREEN
4	↔	9	BROWN	16	↔	9	*BROWN
5	↔	8	GRAY	17	↔	8	*GRAY
6	↔	7	WHITE	18	↔	7	*WHITE
7	↔	6	RED	19	↔	6	*RED
8	↔	5	BLACK	20	↔	5	*BLACK
9	↔	4	YELLOW	21	↔	4	*YELLOW
10	↔	3	VIOLET	22	↔	3	*VIOLET
11	↔	2	PINK	23	↔	2	*PINK
12	↔	1	AQUA	24	↔	1	*AQUA



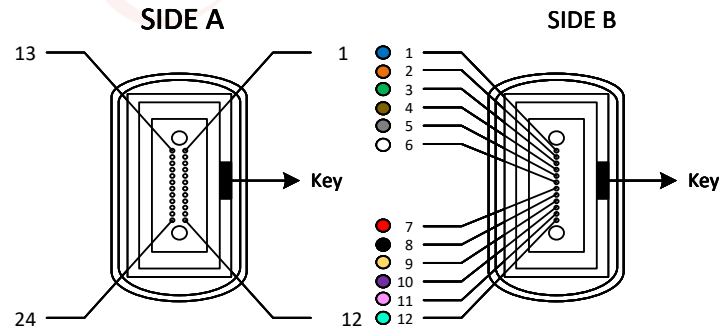
Optico SHENZHEN OPTICO COMMUNICATION CO., LTD.

Model	24F MTPUPC Female-2X12F MTPUPC Female Type B MM OM3/4 3.0mm Magenta LSZH CPR-Dca Cable					OP-24F-MTPF-Y-UPC-FP-MM-B			
FIRST ANGLE PROJECTION	MATERIAL	UNIT	SCALE	SIZE	SHEET	DRAWN	XUELING W	DATE	2025.04.25
	LSZH	m	/	A4	1	CHECKED	Michael Liu	DATE	2025.04.25
						APPROVED	STEVEN Zhang	DATE	2025.04.25




Type A (TIA)

Fiber No.			Color	Fiber No.			Color
24C MTP		12C MTP 1		24C MTP		12C MTP 2	
1	↔	1	BLUE	13	↔	1	*BLUE
2	↔	2	ORANGE	14	↔	2	*ORANGE
3	↔	3	GREEN	15	↔	3	*GREEN
4	↔	4	BROWN	16	↔	4	*BROWN
5	↔	5	GRAY	17	↔	5	*GRAY
6	↔	6	WHITE	18	↔	6	*WHITE
7	↔	7	RED	19	↔	7	*RED
8	↔	8	BLACK	20	↔	8	*BLACK
9	↔	9	YELLOW	21	↔	9	*YELLOW
10	↔	10	VIOLET	22	↔	10	*VIOLET
11	↔	11	PINK	23	↔	11	*PINK
12	↔	12	AQUA	24	↔	12	*AQUA

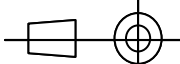


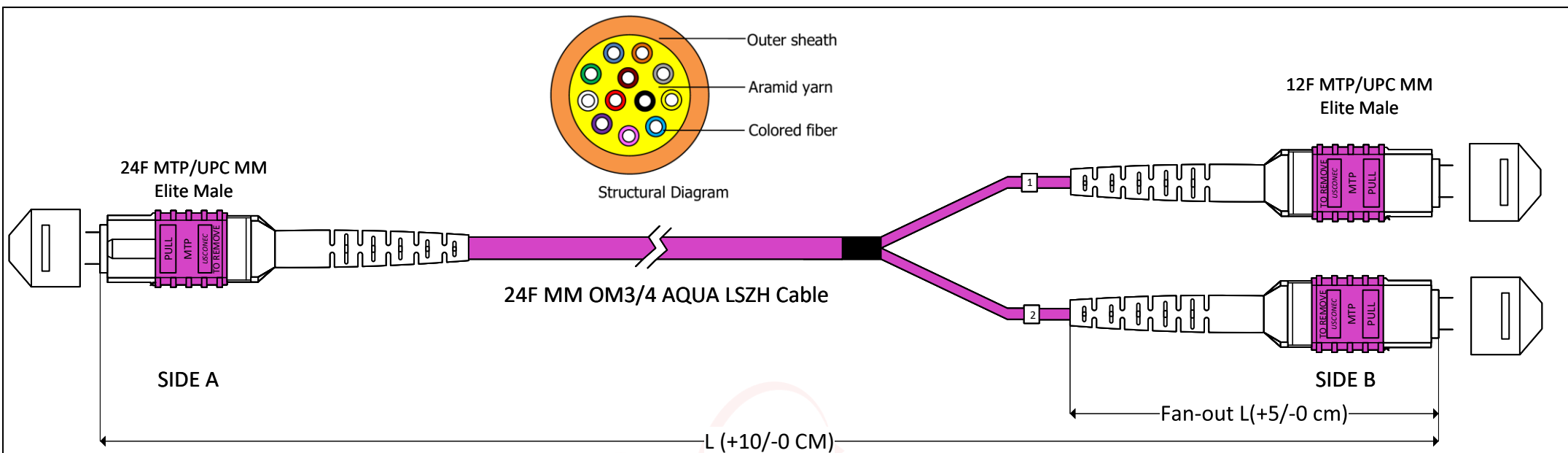
Specification:

- 1.Low Loss IL: $\leq 0.35\text{dB}$;
Ultra-low loss: $\leq 0.25\text{dB}$
- 2.Return Loss: $\geq 35\text{dB}$
- 3.Operation Environment: $-40\sim+85^{\circ}\text{C}$
- 4.Storage Environment: $-40\sim+85^{\circ}\text{C}$



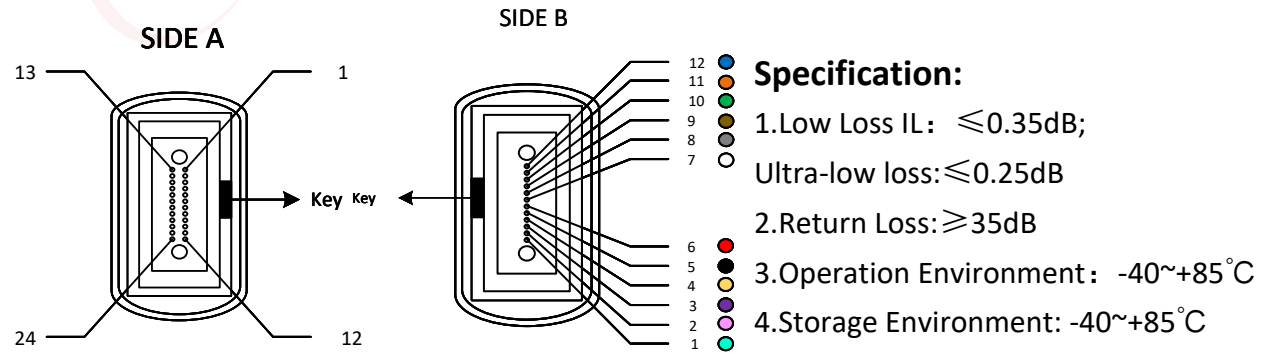
SHENZHEN OPTICO COMMUNICATION CO., LTD.

Model	24F MTPUPC Male-2X12F MTPUPC Male Type A MM OM3/4 3.0mm Magenta LSZH CPR-Dca Cable					OP-24F-MTPM-Y-UPC-FP-MM-A			
FIRST ANGLE PROJECTION 	MATERIAL	UNIT	SCALE	SIZE	SHEET	DRAWN	XUELING W	DATE	2025.04.25
	LSZH	m	/	A4	1	CHECKED	Michael Liu	DATE	2025.04.25
						APPROVED	STEVEN Zhang	DATE	2025.04.25



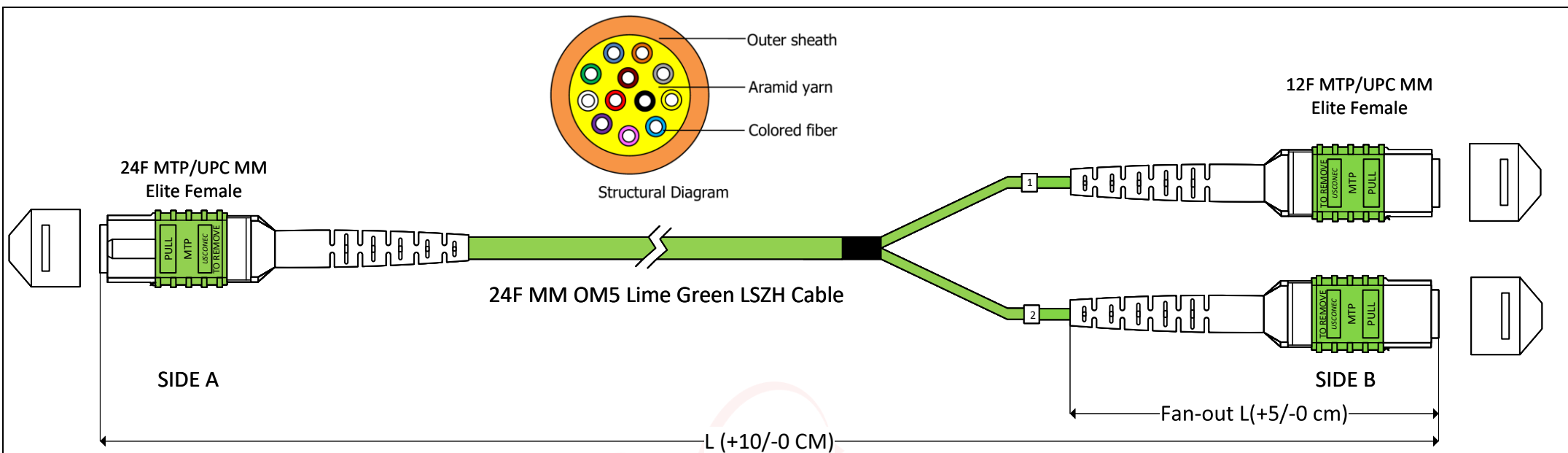
Type B (TIA)

Fiber No.			Color	Fiber No.			Color
24C MTP		12C MTP 1		24C MTP		12C MTP 2	
1	↔	12	BLUE	13	↔	12	*BLUE
2	↔	11	ORANGE	14	↔	11	*ORANGE
3	↔	10	GREEN	15	↔	10	*GREEN
4	↔	9	BROWN	16	↔	9	*BROWN
5	↔	8	GRAY	17	↔	8	*GRAY
6	↔	7	WHITE	18	↔	7	*WHITE
7	↔	6	RED	19	↔	6	*RED
8	↔	5	BLACK	20	↔	5	*BLACK
9	↔	4	YELLOW	21	↔	4	*YELLOW
10	↔	3	VIOLET	22	↔	3	*VIOLET
11	↔	2	PINK	23	↔	2	*PINK
12	↔	1	AQUA	24	↔	1	*AQUA



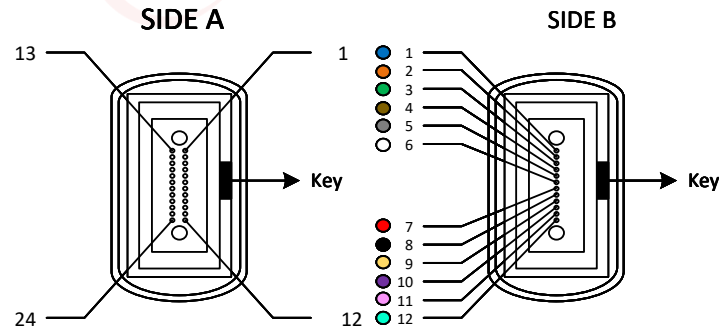
Optico SHENZHEN OPTICO COMMUNICATION CO., LTD.

Model	24F MTPUPC Male-2X12F MTPUPC Male Type B MM OM3/4 3.0mm Magenta LSZH CPR-Dca Cable					OP-24F-MTPM-Y-UPC-FP-MM-B			
FIRST ANGLE PROJECTION	MATERIAL	UNIT	SCALE	SIZE	SHEET	DRAWN	XUELING W	DATE	2025.04.25
	LSZH	m	/	A4	1	CHECKED	Michael Liu	DATE	2025.04.25
						APPROVED	STEVEN Zhang	DATE	2025.04.25



Type A (TIA)

Fiber No.			Color	Fiber No.			Color
24C MTP		12C MTP 1		24C MTP		12C MTP 2	
1	↔	1	BLUE	13	↔	1	*BLUE
2	↔	2	ORANGE	14	↔	2	*ORANGE
3	↔	3	GREEN	15	↔	3	*GREEN
4	↔	4	BROWN	16	↔	4	*BROWN
5	↔	5	GRAY	17	↔	5	*GRAY
6	↔	6	WHITE	18	↔	6	*WHITE
7	↔	7	RED	19	↔	7	*RED
8	↔	8	BLACK	20	↔	8	*BLACK
9	↔	9	YELLOW	21	↔	9	*YELLOW
10	↔	10	VIOLET	22	↔	10	*VIOLET
11	↔	11	PINK	23	↔	11	*PINK
12	↔	12	AQUA	24	↔	12	*AQUA



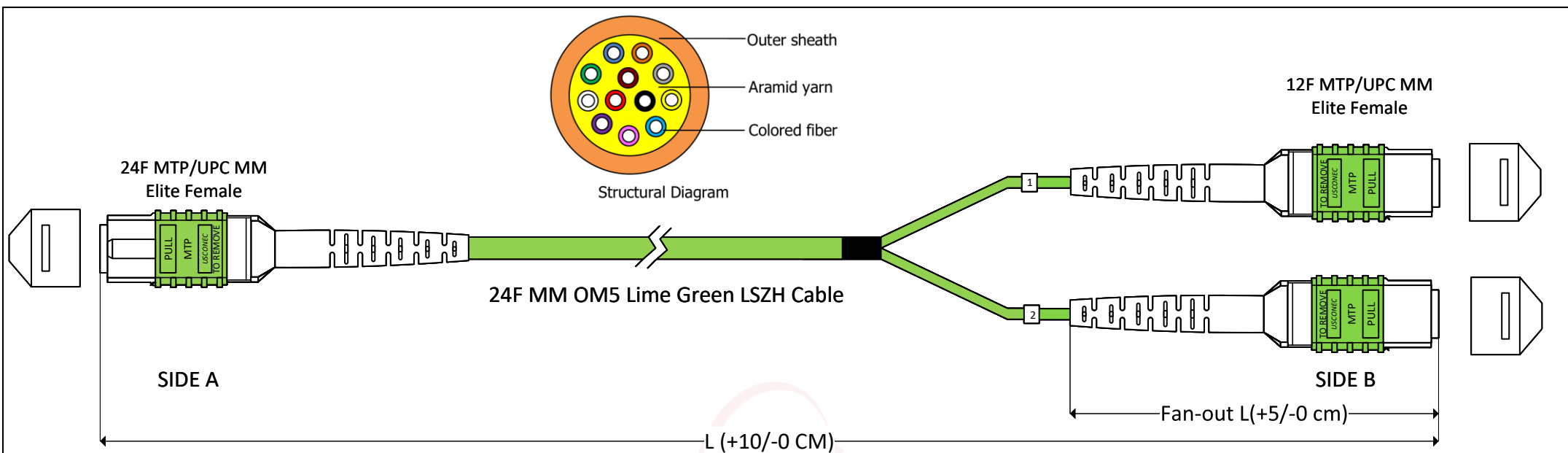
Specification:

1. Low Loss IL: $\leq 0.35\text{dB}$;
Ultra-low loss: $\leq 0.25\text{dB}$
2. Return Loss: $\geq 35\text{dB}$
3. Operation Environment: $-40\sim+85^{\circ}\text{C}$
4. Storage Environment: $-40\sim+85^{\circ}\text{C}$



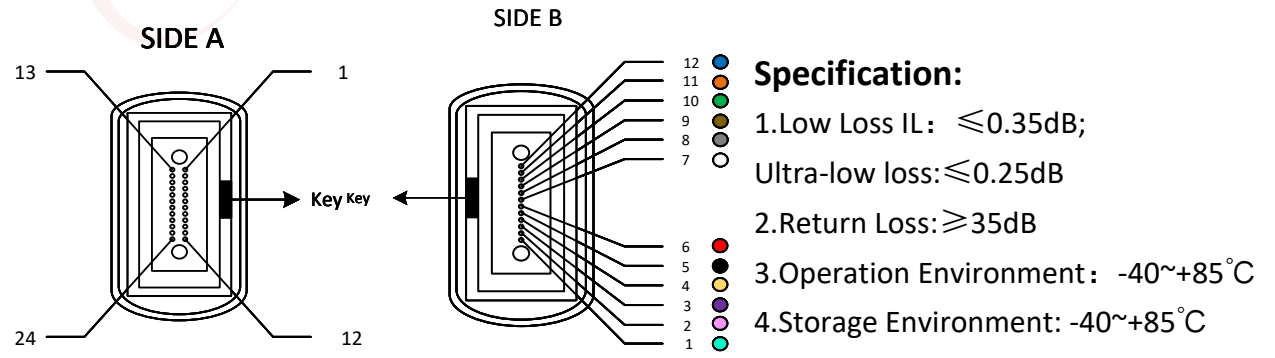
SHENZHEN OPTICO COMMUNICATION CO., LTD.

Model	24F MTPUPC Female-2X12F MTPUPC Female Type A MM OM5 3.0mm Lime Green LSZH CPR-Dca Cable					OP-24F-MTPF-Y-UPC-FP-OM5-A			
FIRST ANGLE PROJECTION	MATERIAL	UNIT	SCALE	SIZE	SHEET	DRAWN	XUELING W	DATE	2025.04.25
	LSZH	m	/	A4	1	CHECKED	Michael Liu	DATE	2025.04.25
						APPROVED	STEVEN Zhang	DATE	2025.04.25



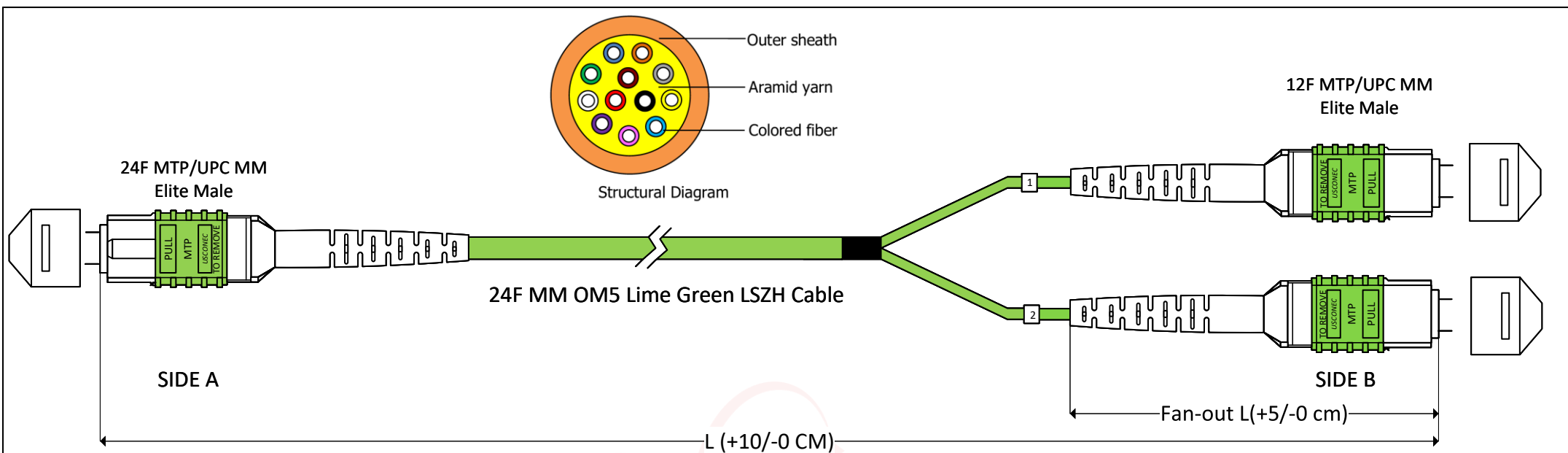
Type B (TIA)

Fiber No.		Color	Fiber No.		Color		
24C MTP	12C MTP 1		24C MTP	12C MTP 2			
1	↔	12	BLUE	13	↔	12	*BLUE
2	↔	11	ORANGE	14	↔	11	*ORANGE
3	↔	10	GREEN	15	↔	10	*GREEN
4	↔	9	BROWN	16	↔	9	*BROWN
5	↔	8	GRAY	17	↔	8	*GRAY
6	↔	7	WHITE	18	↔	7	*WHITE
7	↔	6	RED	19	↔	6	*RED
8	↔	5	BLACK	20	↔	5	*BLACK
9	↔	4	YELLOW	21	↔	4	*YELLOW
10	↔	3	VIOLET	22	↔	3	*VIOLET
11	↔	2	PINK	23	↔	2	*PINK
12	↔	1	AQUA	24	↔	1	*AQUA



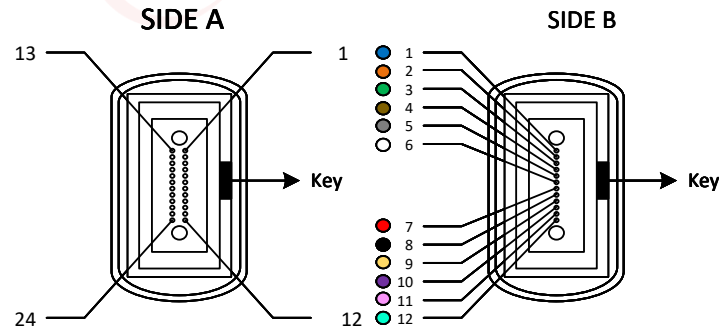
Optico SHENZHEN OPTICO COMMUNICATION CO., LTD.
connecting the smart future

Model	24F MTPUPC Female-2X12F MTPUPC Female Type B MM OM5 3.0mm Lime Green LSZH CPR-Dca Cable					OP-24F-MTPF-Y-UPC-FP-OM5-B				
FIRST ANGLE PROJECTION	MATERIAL	UNIT	SCALE	SIZE	SHEET	DRAWN	XUELING W	DATE	2025.04.25	
	LSZH	m	/	A4	1	CHECKED	Michael Liu	DATE	2025.04.25	
						APPROVED	STEVEN Zhang	DATE	2025.04.25	



Type A (TIA)

Fiber No.			Color	Fiber No.			Color
24C MTP		12C MTP 1		24C MTP		12C MTP 2	
1	↔	1	BLUE	13	↔	1	*BLUE
2	↔	2	ORANGE	14	↔	2	*ORANGE
3	↔	3	GREEN	15	↔	3	*GREEN
4	↔	4	BROWN	16	↔	4	*BROWN
5	↔	5	GRAY	17	↔	5	*GRAY
6	↔	6	WHITE	18	↔	6	*WHITE
7	↔	7	RED	19	↔	7	*RED
8	↔	8	BLACK	20	↔	8	*BLACK
9	↔	9	YELLOW	21	↔	9	*YELLOW
10	↔	10	VIOLET	22	↔	10	*VIOLET
11	↔	11	PINK	23	↔	11	*PINK
12	↔	12	AQUA	24	↔	12	*AQUA



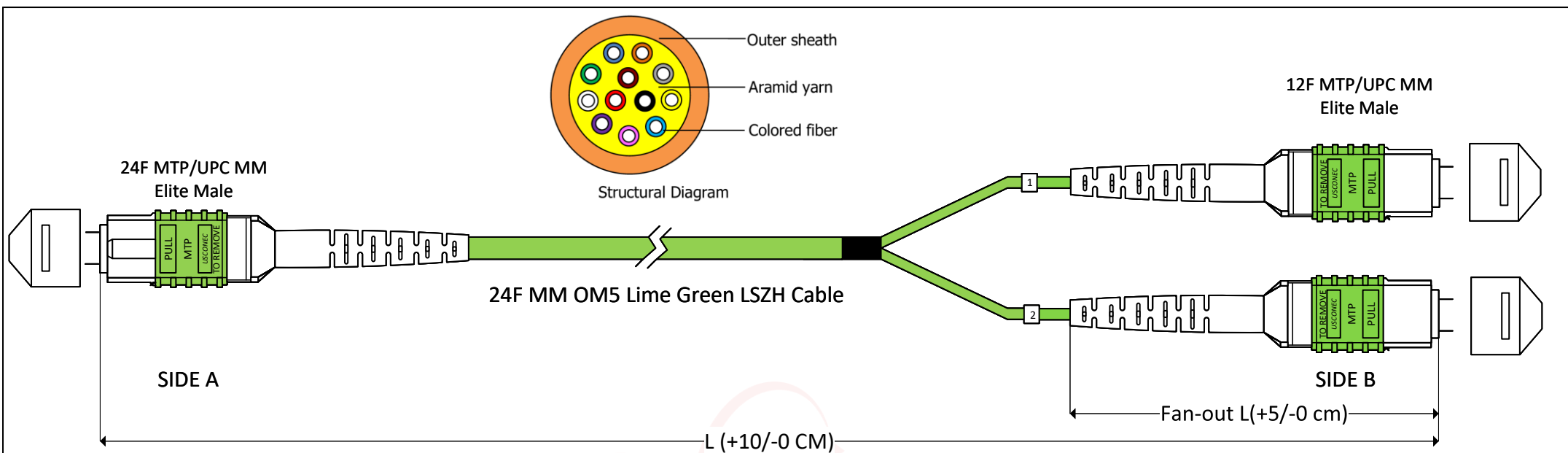
Specification:

- 1.Low Loss IL: $\leq 0.35\text{dB}$;
Ultra-low loss: $\leq 0.25\text{dB}$
- 2.Return Loss: $\geq 35\text{dB}$
- 3.Operation Environment: $-40\sim+85^{\circ}\text{C}$
- 4.Storage Environment: $-40\sim+85^{\circ}\text{C}$



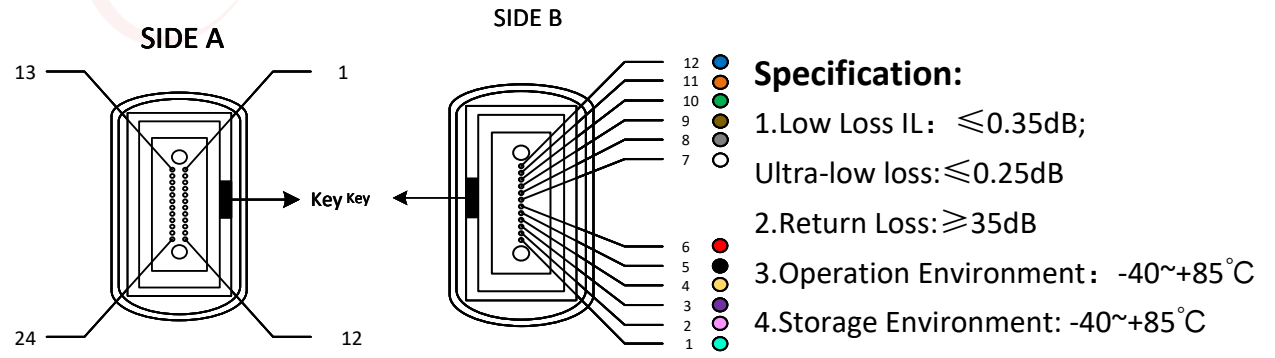
SHENZHEN OPTICO COMMUNICATION CO., LTD.

Model	24F MTPUPC Male-2X12F MTPUPC Male Type A MM OM5 3.0mm Lime Green LSZH CPR-Dca Cable					OP-24F-MTPM-Y-UPC-FP-OM5-A			
FIRST ANGLE PROJECTION	MATERIAL	UNIT	SCALE	SIZE	SHEET	DRAWN	XUELING W	DATE	2025.04.25
	LSZH	m	/	A4	1	CHECKED	Michael Liu	DATE	2025.04.25
						APPROVED	STEVEN Zhang	DATE	2025.04.25



Type B (TIA)

Fiber No.			Color	Fiber No.			Color
24C MTP		12C MTP 1		24C MTP		12C MTP 2	
1	↔	12	BLUE	13	↔	12	*BLUE
2	↔	11	ORANGE	14	↔	11	*ORANGE
3	↔	10	GREEN	15	↔	10	*GREEN
4	↔	9	BROWN	16	↔	9	*BROWN
5	↔	8	GRAY	17	↔	8	*GRAY
6	↔	7	WHITE	18	↔	7	*WHITE
7	↔	6	RED	19	↔	6	*RED
8	↔	5	BLACK	20	↔	5	*BLACK
9	↔	4	YELLOW	21	↔	4	*YELLOW
10	↔	3	VIOLET	22	↔	3	*VIOLET
11	↔	2	PINK	23	↔	2	*PINK
12	↔	1	AQUA	24	↔	1	*AQUA



- Specification:**
- 1.Low Loss IL: $\leq 0.35\text{dB}$;
Ultra-low loss: $\leq 0.25\text{dB}$
 - 2.Return Loss: $\geq 35\text{dB}$
 - 3.Operation Environment: $-40\sim+85^{\circ}\text{C}$
 - 4.Storage Environment: $-40\sim+85^{\circ}\text{C}$

SHENZHEN OPTICO COMMUNICATION CO., LTD.

Model	24F MTPUPC Male-2X12F MTPUPC Male Type B MM OM5 3.0mm Lime Green LSZH CPR-Dca Cable					OP-24F-MTPM-Y-UPC-FP-OM5-B			
FIRST ANGLE PROJECTION 	MATERIAL	UNIT	SCALE	SIZE	SHEET	DRAWN	XUELING W	DATE	2025.04.25
	LSZH	m	/	A4	1	CHECKED	Michael Liu	DATE	2025.04.25
							APPROVED	STEVEN Zhang	DATE