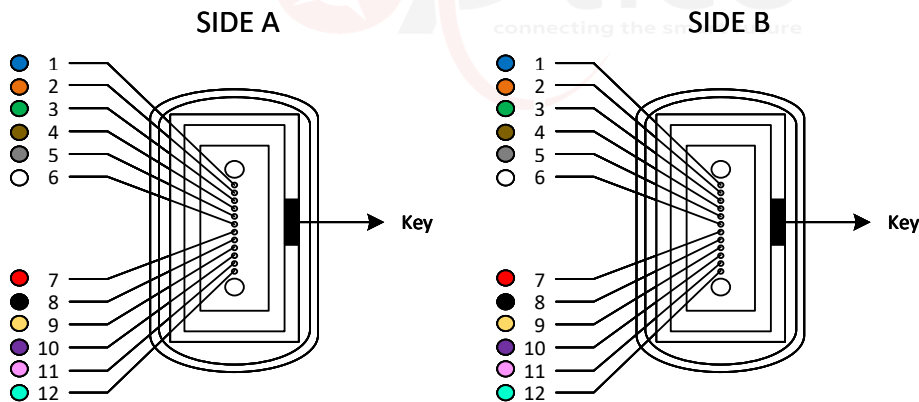


Type A (TIA)

Fiber No.		Color
12C MTP 1/2/3/4	12C MTP 1/2/3/4	
1	1	BLUE
2	2	ORANGE
3	3	GREEN
4	4	BROWN
5	5	GRAY
6	6	WHITE
7	7	RED
8	8	BLACK
9	9	YELLOW
10	10	VIOLET
11	11	PINK
12	12	AQUA



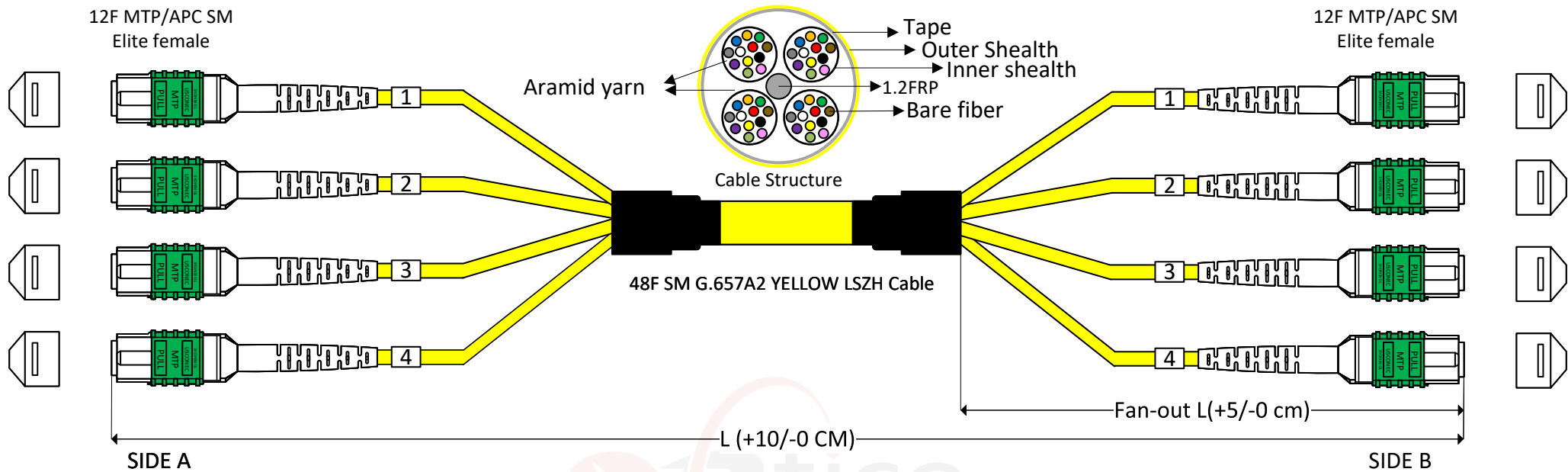
Specification:

- Low Loss IL: $\leq 0.35\text{dB}$
Ultra-low loss: $\leq 0.25\text{dB}$
- Return Loss: $\geq 65\text{dB}$
- Operation Environment: $-40\sim+85^{\circ}\text{C}$
- Storage Environment: $-40\sim+85^{\circ}\text{C}$



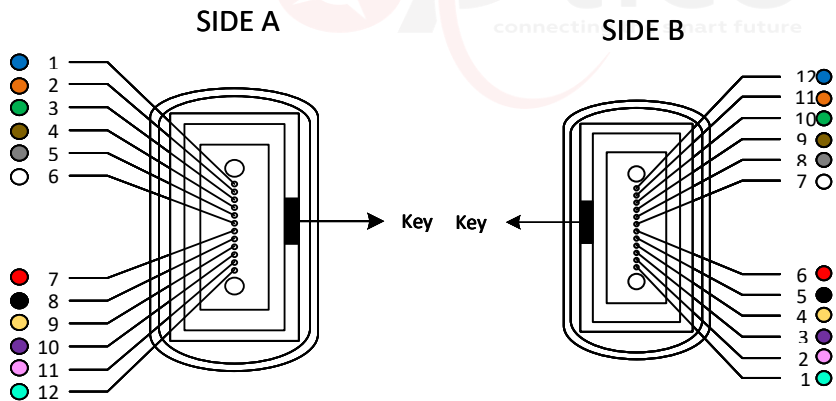
SHENZHEN OPTICO COMMUNICATION CO., LTD.

Model	4X12F MTPAPC Female-4X12F MTPAPC Female Trunk Cable Type A SM G657A2 3.0mm Yellow LSZH CPR-Dca					OP-12F-MTPF-4x4-APC-TFP-SM-A			
FIRST ANGLE PROJECTION 	MATERIAL	UNIT	SCALE	SIZE	SHEET	DRAWN	XUELING W	DATE	2025.05.06
	LSZH	m	/	A4	1	CHECKED	Michael Liu	DATE	2025.05.06
						APPROVED	STEVEN Zhang	DATE	2025.05.06



Type B (TIA)

Fiber No.		Color
12C MTP 1/2/3/4	12C MTP 1/2/3/4	
1	12	BLUE
2	11	ORANGE
3	10	GREEN
4	9	BROWN
5	8	GRAY
6	7	WHITE
7	6	RED
8	5	BLACK
9	4	YELLOW
10	3	VIOLET
11	2	PINK
12	1	AQUA



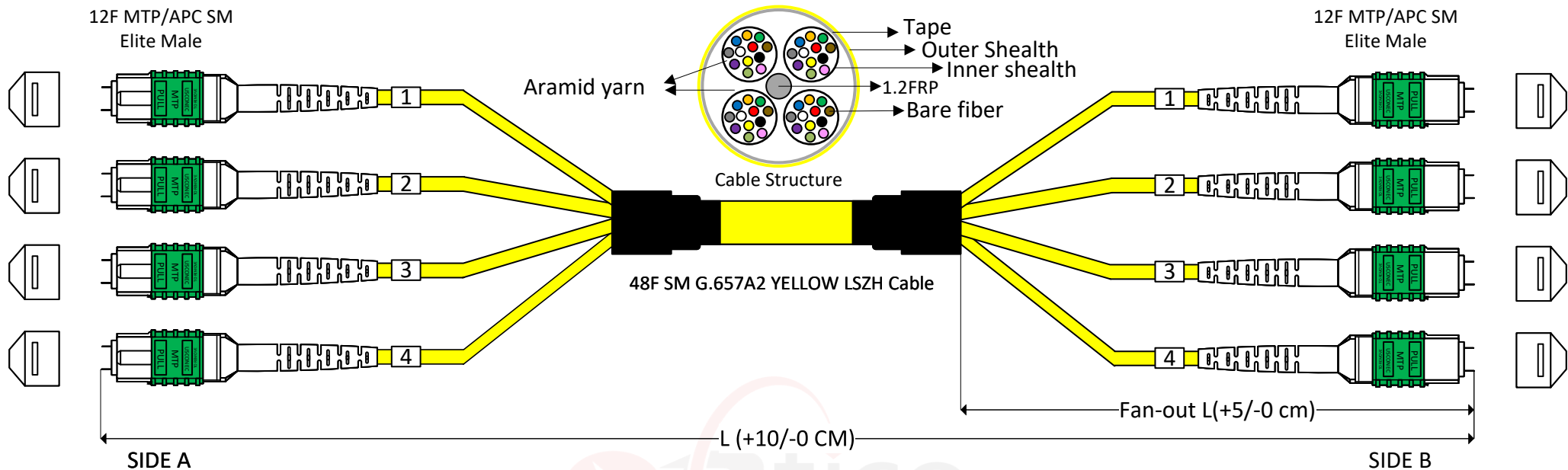
Specification:

- 1.Low Loss IL: $\leq 0.35\text{dB}$;
Ultra-low loss: $\leq 0.25\text{dB}$
- 2.Return Loss: $\geq 65\text{dB}$
- 3.Operation Environment: $-40\sim+85^{\circ}\text{C}$
- 4.Storage Environment: $-40\sim+85^{\circ}\text{C}$



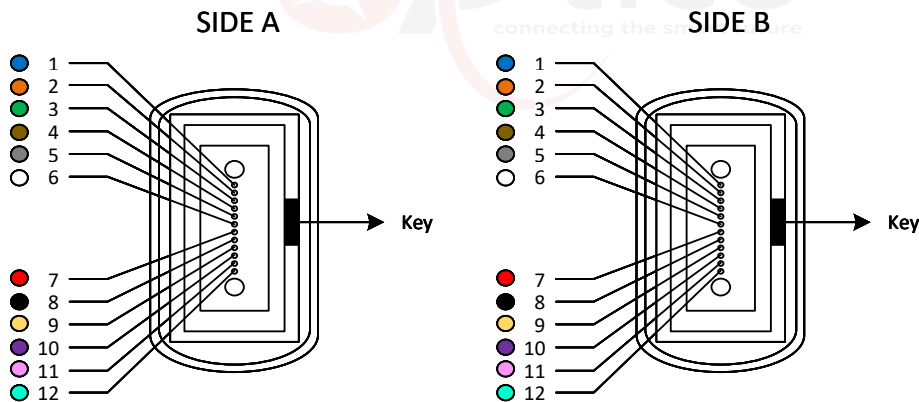
SHENZHEN OPTICO COMMUNICATION CO., LTD.

Model	4X12F MTPAPC Female-4X12F MTPAPC Female Trunk Cable Type B SM G657A2 3.0mm Yellow LSZH CPR-Dca					OP-12F-MTPF-4x4-APC-TFP-SM-B			
FIRST ANGLE PROJECTION	MATERIAL	UNIT	SCALE	SIZE	SHEET	DRAWN	XUELING W	DATE	2025.05.06
	LSZH	m		A4	1	CHECKED	Michael Liu	DATE	2025.05.06
						APPROVED	STEVEN Zhang	DATE	2025.05.06



Type A (TIA)

Fiber No.		Color
12C MTP 1/2/3/4	12C MTP 1/2/3/4	
1	1	BLUE
2	2	ORANGE
3	3	GREEN
4	4	BROWN
5	5	GRAY
6	6	WHITE
7	7	RED
8	8	BLACK
9	9	YELLOW
10	10	VIOLET
11	11	PINK
12	12	AQUA



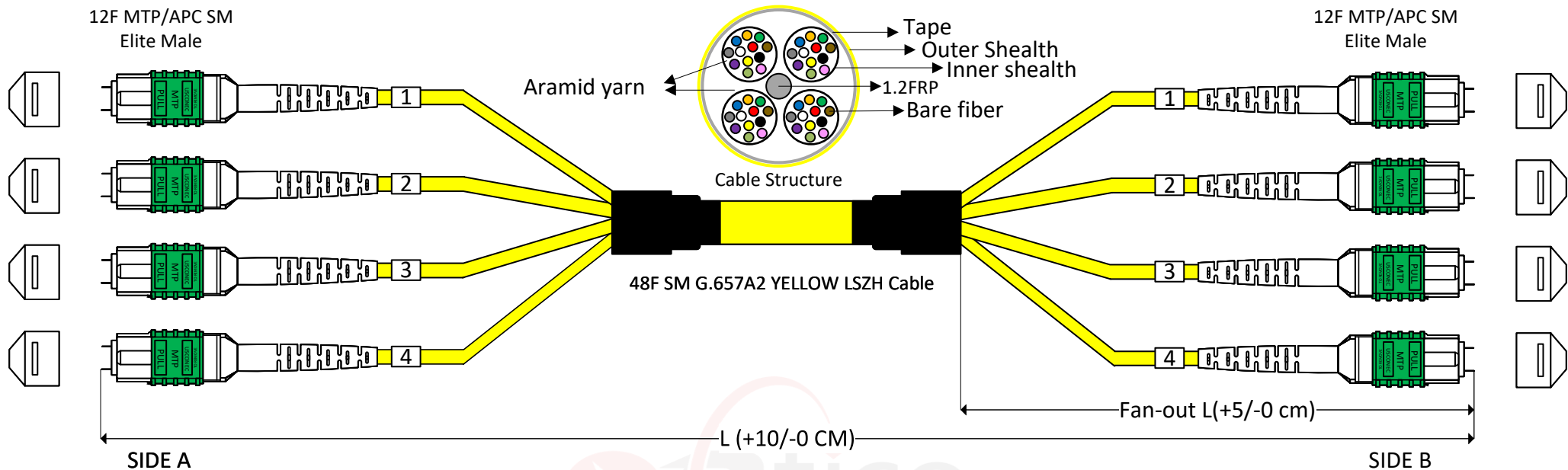
Specification:

- Low Loss IL: $\leq 0.35\text{dB}$
Ultra-low loss: $\leq 0.25\text{dB}$
- Return Loss: $\geq 65\text{dB}$
- Operation Environment: $-40\sim+85^{\circ}\text{C}$
- Storage Environment: $-40\sim+85^{\circ}\text{C}$



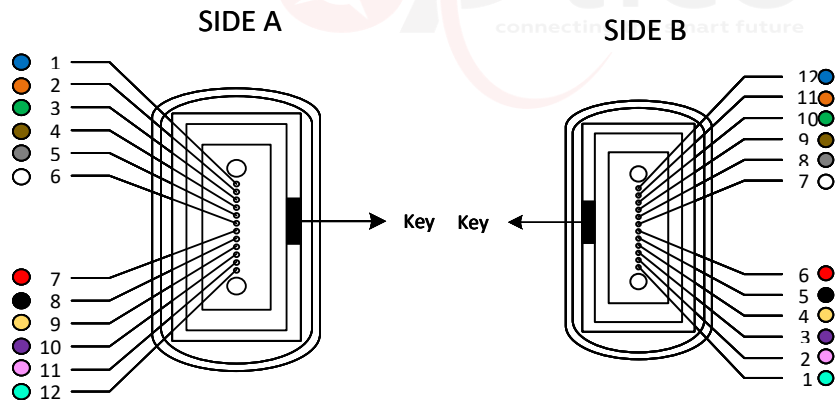
SHENZHEN OPTICO COMMUNICATION CO., LTD.

Model	4X12F MTPAPC Male-4X12F MTPAPC Male Trunk Cable Type A SM G657A2 3.0mm Yellow LSZH CPR-Dca					OP-12F-MTPM-4x4-APC-TFP-SM-A			
FIRST ANGLE PROJECTION 	MATERIAL	UNIT	SCALE	SIZE	SHEET	DRAWN	XUELING W	DATE	2025.05.06
	LSZH	m	/	A4	1	CHECKED	Michael Liu	DATE	2025.05.06
						APPROVED	STEVEN Zhang	DATE	2025.05.06



Type B (TIA)

Fiber No.		Color
12C MTP 1/2/3/4	12C MTP 1/2/3/4	
1	12	BLUE
2	11	ORANGE
3	10	GREEN
4	9	BROWN
5	8	GRAY
6	7	WHITE
7	6	RED
8	5	BLACK
9	4	YELLOW
10	3	VIOLET
11	2	PINK
12	1	AQUA



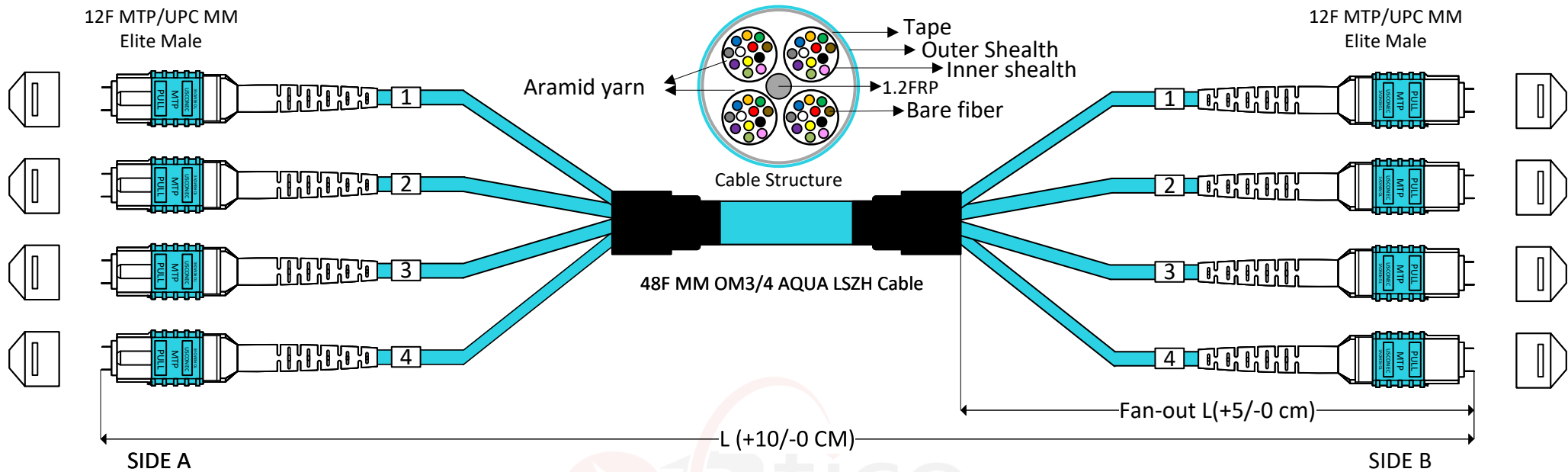
Specification:

- 1.Low Loss IL: $\leq 0.35\text{dB}$;
Ultra-low loss: $\leq 0.25\text{dB}$
- 2.Return Loss: $\geq 65\text{dB}$
- 3.Operation Environment: $-40\sim+85^{\circ}\text{C}$
- 4.Storage Environment: $-40\sim+85^{\circ}\text{C}$



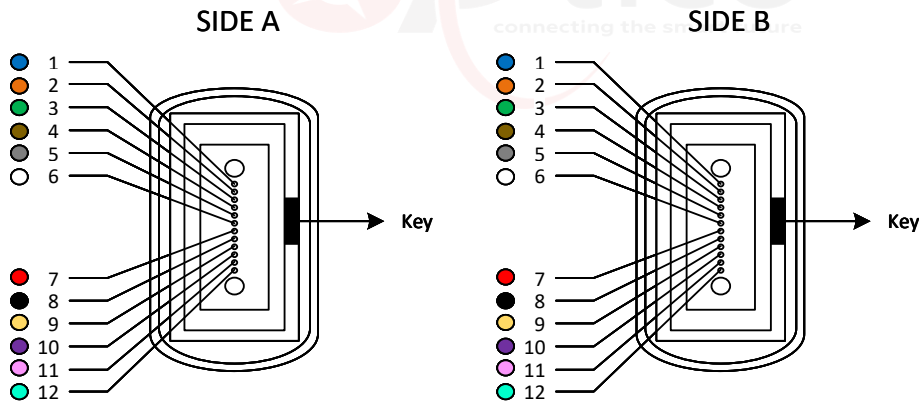
SHENZHEN OPTICO COMMUNICATION CO., LTD.

Model	4X12F MTPAPC Male-4X12F MTPAPC Male Trunk Cable Type B SM G657A2 3.0mm Yellow LSZH CPR-Dca					OP-12F-MTPM-4x4-APC-TFP-SM-B			
FIRST ANGLE PROJECTION	MATERIAL	UNIT	SCALE	SIZE	SHEET	DRAWN	XUELING W	DATE	2025.05.06
	LSZH	m		A4	1	CHECKED	Michael Liu	DATE	2025.05.06
						APPROVED	STEVEN Zhang	DATE	2025.05.06



Type A (TIA)

Fiber No.		Color
12C MTP 1/2/3/4	12C MTP 1/2/3/4	
1	1	BLUE
2	2	ORANGE
3	3	GREEN
4	4	BROWN
5	5	GRAY
6	6	WHITE
7	7	RED
8	8	BLACK
9	9	YELLOW
10	10	VIOLET
11	11	PINK
12	12	AQUA



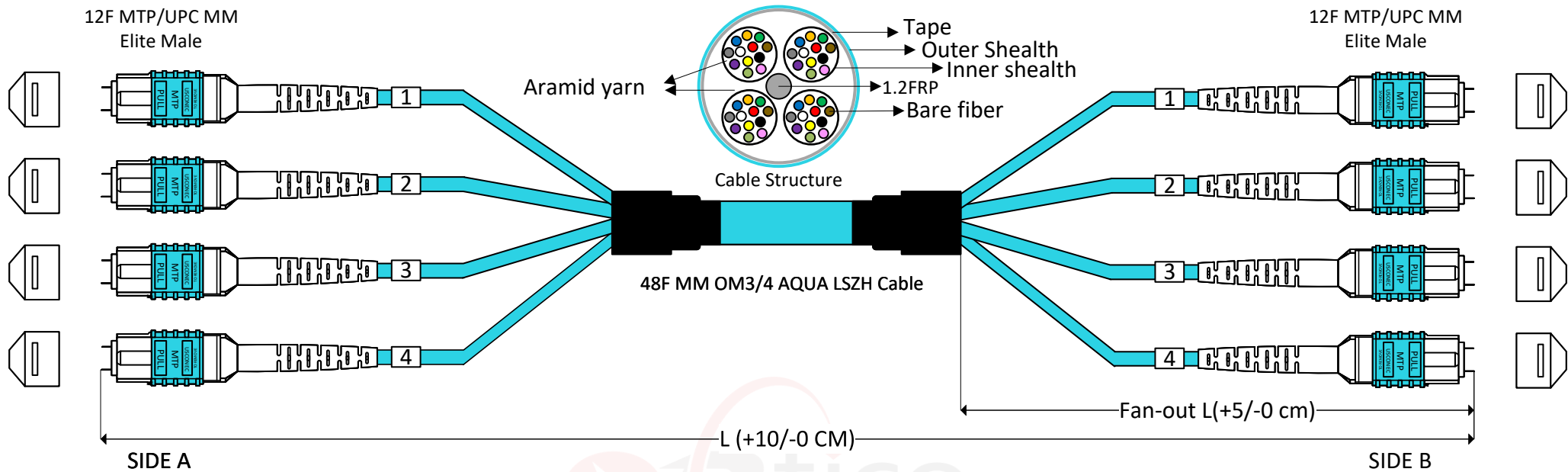
Specification:

- Low Loss IL: $\leq 0.35\text{dB}$;
Ultra-low loss: $\leq 0.25\text{dB}$
- Return Loss: $\geq 35\text{dB}$
- Operation Environment: $-40\sim+85^{\circ}\text{C}$
- Storage Environment: $-40\sim+85^{\circ}\text{C}$



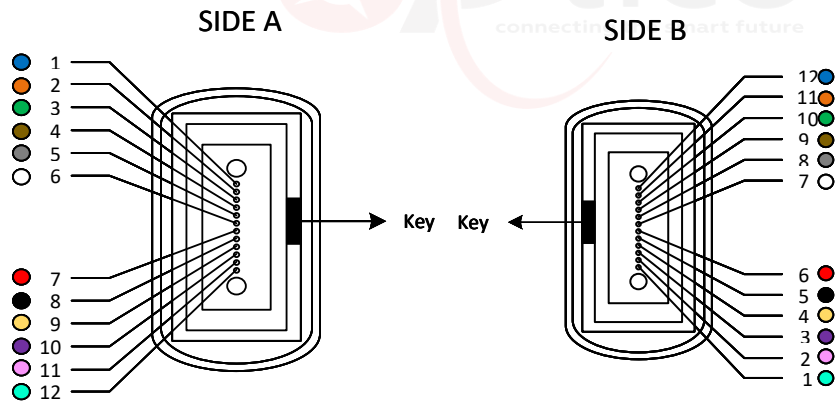
SHENZHEN OPTICO COMMUNICATION CO., LTD.

Model	4X12F MTPUPC Male-4X12F MTPUPC Male Trunk Cable Type A MM OM3/4 3.0mm Aqua LSZH CPR-Dca					OP-12F-MTPM-4x4-UPC-TFP-MM-A			
FIRST ANGLE PROJECTION	MATERIAL	UNIT	SCALE	SIZE	SHEET	DRAWN	XUELING W	DATE	2025.05.06
	LSZH	m		A4	1	CHECKED	Michael Liu	DATE	2025.05.06
						APPROVED	STEVEN Zhang	DATE	2025.05.06



Type B (TIA)

Fiber No.		Color
12C MTP 1/2/3/4	12C MTP 1/2/3/4	
1	12	BLUE
2	11	ORANGE
3	10	GREEN
4	9	BROWN
5	8	GRAY
6	7	WHITE
7	6	RED
8	5	BLACK
9	4	YELLOW
10	3	VIOLET
11	2	PINK
12	1	AQUA



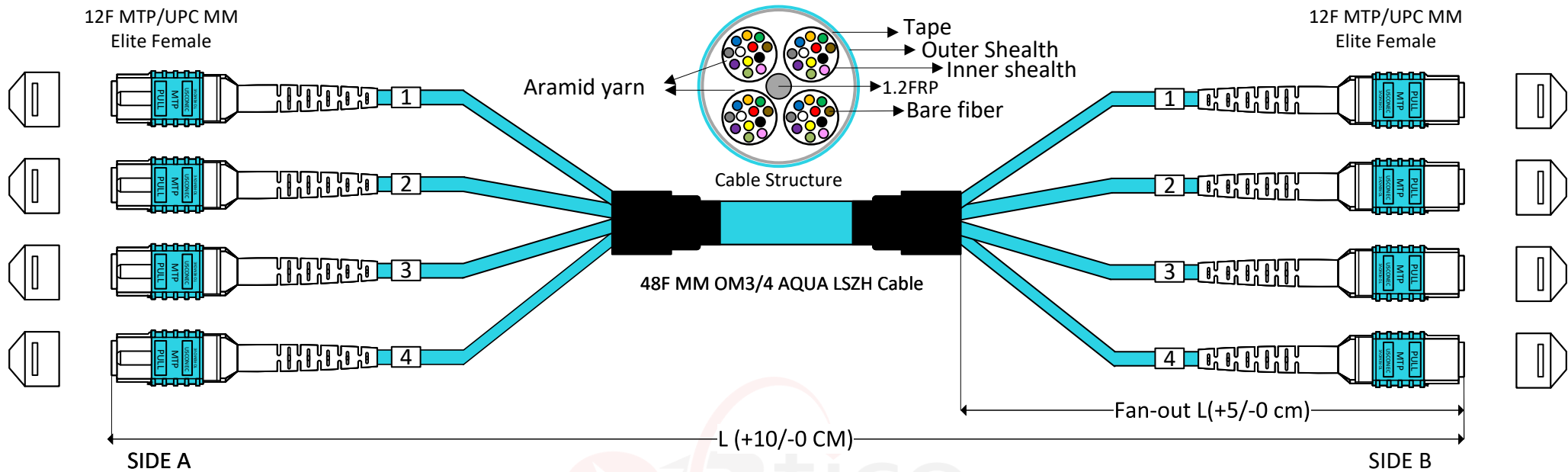
Specification:

1. Low Loss IL: $\leq 0.35\text{dB}$;
Ultra-low loss: $\leq 0.25\text{dB}$
2. Return Loss: $\geq 35\text{dB}$
3. Operation Environment: $-40\sim+85^{\circ}\text{C}$
4. Storage Environment: $-40\sim+85^{\circ}\text{C}$



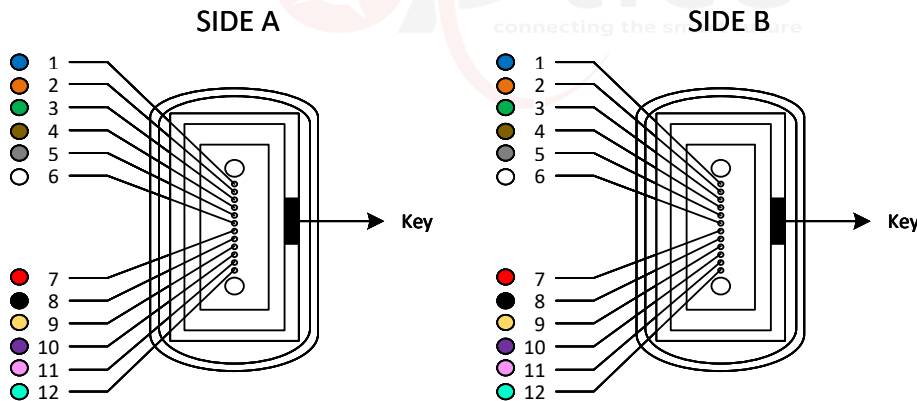
SHENZHEN OPTICO COMMUNICATION CO., LTD.

Model	4X12F MTPUPC Male-4X12F MTPUPC Male Trunk Cable Type B MM OM3/4 3.0mm Aqua LSZH CPR-Dca					OP-12F-MTPM-4x4-UPC-TFP-MM-B			
FIRST ANGLE PROJECTION 	MATERIAL	UNIT	SCALE	SIZE	SHEET	DRAWN	XUELING W	DATE	2025.05.06
	LSZH	m	/	A4	1	CHECKED	Michael Liu	DATE	2025.05.06
						APPROVED	STEVEN Zhang	DATE	2025.05.06



Type A (TIA)

Fiber No.		Color
12C MTP 1/2/3/4	12C MTP 1/2/3/4	
1	1	BLUE
2	2	ORANGE
3	3	GREEN
4	4	BROWN
5	5	GRAY
6	6	WHITE
7	7	RED
8	8	BLACK
9	9	YELLOW
10	10	VIOLET
11	11	PINK
12	12	AQUA



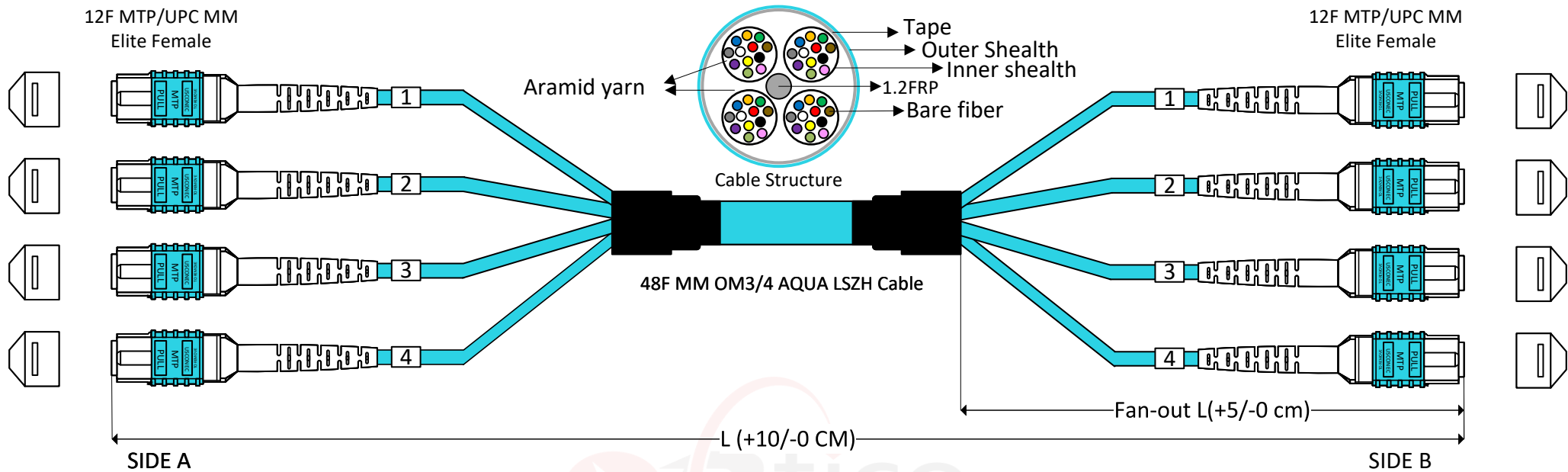
Specification:

- 1.Low Loss IL: $\leq 0.35\text{dB}$;
Ultra-low loss: $\leq 0.25\text{dB}$
- 2.Return Loss: $\geq 35\text{dB}$
- 3.Operation Environment: $-40\sim+85^{\circ}\text{C}$
- 4.Storage Environment: $-40\sim+85^{\circ}\text{C}$



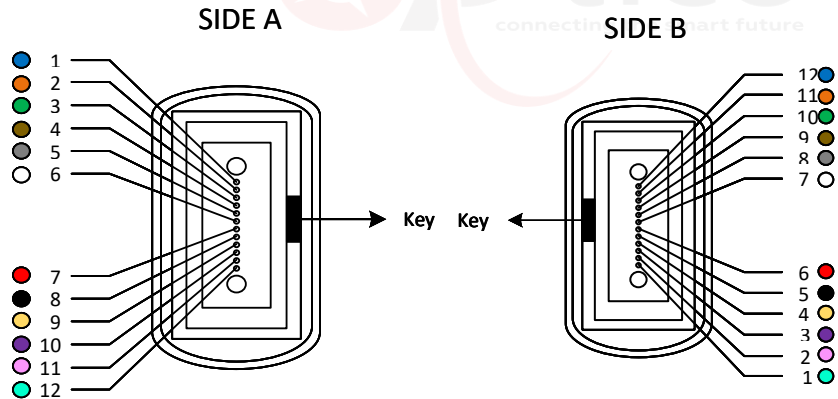
SHENZHEN OPTICO COMMUNICATION CO., LTD.

Model	4X12F MTPUPC Female-4X12F MTPUPC Female Trunk Cable Type A MM OM3/4 3.0mm Aqua LSZH CPR-Dca					OP-12F-MTPF-4x4-UPC-TFP-MM-A			
FIRST ANGLE PROJECTION 	MATERIAL	UNIT	SCALE	SIZE	SHEET	DRAWN	XUELING W	DATE	2025.05.06
	LSZH	m	/	A4	1	CHECKED	Michael Liu	DATE	2025.05.06
						APPROVED	STEVEN Zhang	DATE	2025.05.06



Type B (TIA)

Fiber No.		Color
12C MTP 1/2/3/4	12C MTP 1/2/3/4	
1	12	BLUE
2	11	ORANGE
3	10	GREEN
4	9	BROWN
5	8	GRAY
6	7	WHITE
7	6	RED
8	5	BLACK
9	4	YELLOW
10	3	VIOLET
11	2	PINK
12	1	AQUA



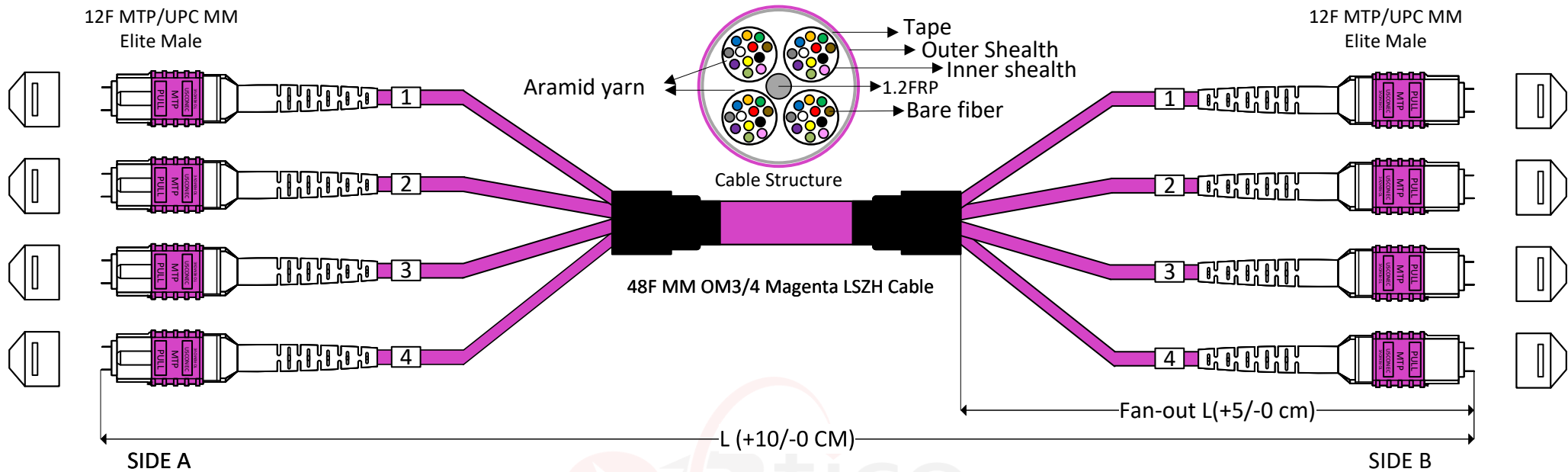
Specification:

- 1.Low Loss IL: $\leq 0.35\text{dB}$;
Ultra-low loss: $\leq 0.25\text{dB}$
- 2.Return Loss: $\geq 35\text{dB}$
- 3.Operation Environment: $-40\sim+85^{\circ}\text{C}$
- 4.Storage Environment: $-40\sim+85^{\circ}\text{C}$



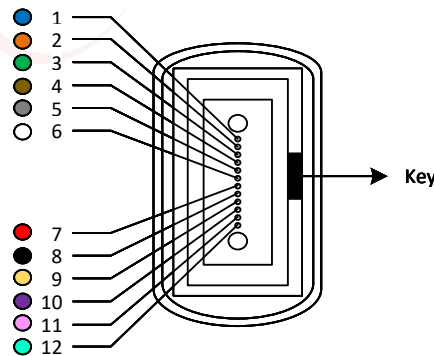
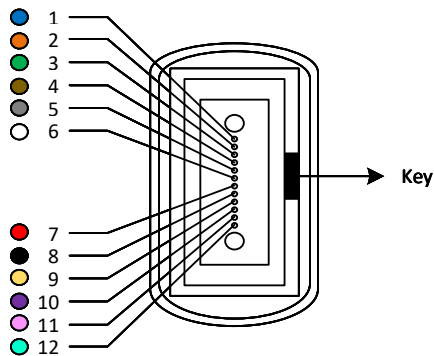
SHENZHEN OPTICO COMMUNICATION CO., LTD.

Model	4X12F MTPUPC Female-4X12F MTPUPC Female Trunk Cable Type B MM OM3/4 3.0mm Aqua LSZH CPR-Dca					OP-12F-MTPF-4x4-UPC-TFP-MM-B			
FIRST ANGLE PROJECTION	MATERIAL	UNIT	SCALE	SIZE	SHEET	DRAWN	XUELING W	DATE	2025.05.06
	LSZH	m	/	A4	1	CHECKED	Michael Liu	DATE	2025.05.06
						APPROVED	STEVEN Zhang	DATE	2025.05.06



Type A (TIA)

Fiber No.		Color
12C MTP 1/2/3/4	12C MTP 1/2/3/4	
1	1	BLUE
2	2	ORANGE
3	3	GREEN
4	4	BROWN
5	5	GRAY
6	6	WHITE
7	7	RED
8	8	BLACK
9	9	YELLOW
10	10	VIOLET
11	11	PINK
12	12	AQUA



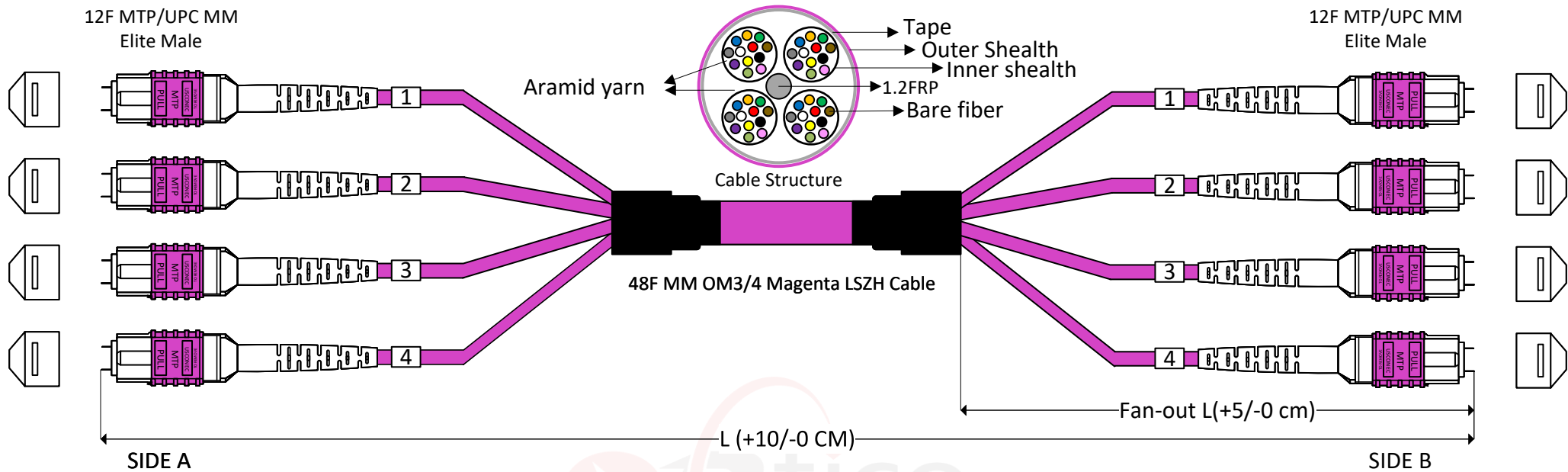
Specification:

- Low Loss IL: $\leq 0.35\text{dB}$
Ultra-low loss: $\leq 0.25\text{dB}$
- Return Loss: $\geq 35\text{dB}$
- Operation Environment: $-40\sim+85^{\circ}\text{C}$
- Storage Environment: $-40\sim+85^{\circ}\text{C}$



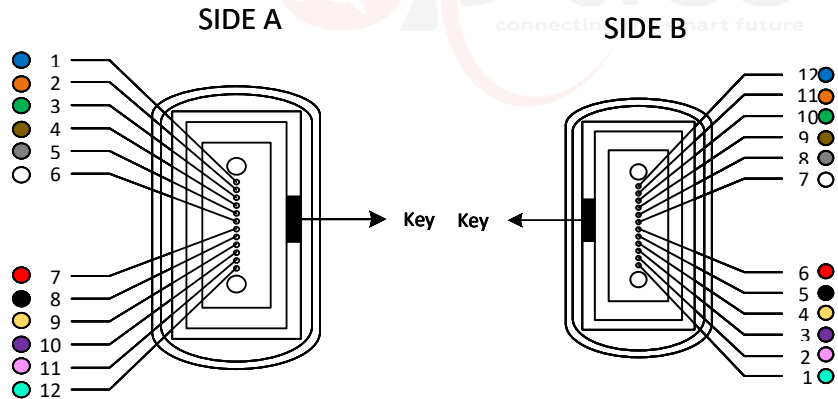
SHENZHEN OPTICO COMMUNICATION CO., LTD.

Model	4X12F MTPUPC Male-4X12F MTPUPC Male Trunk Cable Type A MM OM3/4 3.0mm Magenta LSZH CPR-Dca					OP-12F-MTPM-4x4-UPC-TFP-MM-A			
FIRST ANGLE PROJECTION	MATERIAL	UNIT	SCALE	SIZE	SHEET	DRAWN	XUELING W	DATE	2025.05.06
	LSZH	m		A4	1	CHECKED	Michael Liu	DATE	2025.05.06
						APPROVED	STEVEN Zhang	DATE	2025.05.06



Type B (TIA)

Fiber No.		Color
12C MTP 1/2/3/4	12C MTP 1/2/3/4	
1	12	BLUE
2	11	ORANGE
3	10	GREEN
4	9	BROWN
5	8	GRAY
6	7	WHITE
7	6	RED
8	5	BLACK
9	4	YELLOW
10	3	VIOLET
11	2	PINK
12	1	AQUA



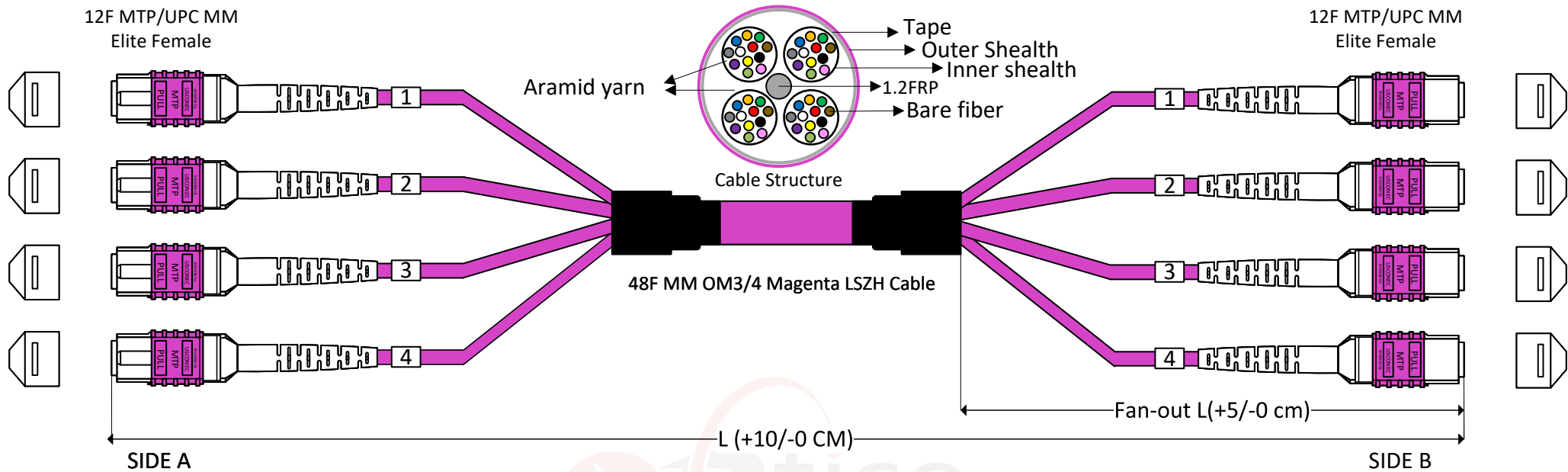
Specification:

- 1.Low Loss IL: $\leq 0.35\text{dB}$;
Ultra-low loss: $\leq 0.25\text{dB}$
- 2.Return Loss: $\geq 35\text{dB}$
- 3.Operation Environment: $-40\sim+85^{\circ}\text{C}$
- 4.Storage Environment: $-40\sim+85^{\circ}\text{C}$



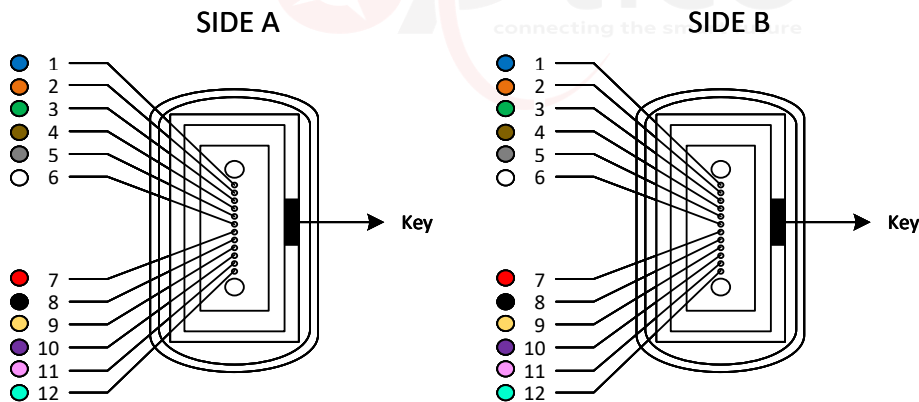
SHENZHEN OPTICO COMMUNICATION CO., LTD.

Model	4X12F MTPUPC Male-4X12F MTPUPC Male Trunk Cable Type B MM OM3/4 3.0mm Magenta LSZH CPR-Dca					OP-12F-MTPM-4x4-UPC-TFP-MM-B				
FIRST ANGLE PROJECTION	MATERIAL	UNIT	SCALE	SIZE	SHEET	DRAWN	XUELING W	DATE	2025.05.06	
	LSZH	m		A4	1	CHECKED	Michael Liu	DATE	2025.05.06	
						APPROVED	STEVEN Zhang	DATE	2025.05.06	



Type A (TIA)

Fiber No.		Color
12C MTP 1/2/3/4	12C MTP 1/2/3/4	
1	1	BLUE
2	2	ORANGE
3	3	GREEN
4	4	BROWN
5	5	GRAY
6	6	WHITE
7	7	RED
8	8	BLACK
9	9	YELLOW
10	10	VIOLET
11	11	PINK
12	12	AQUA



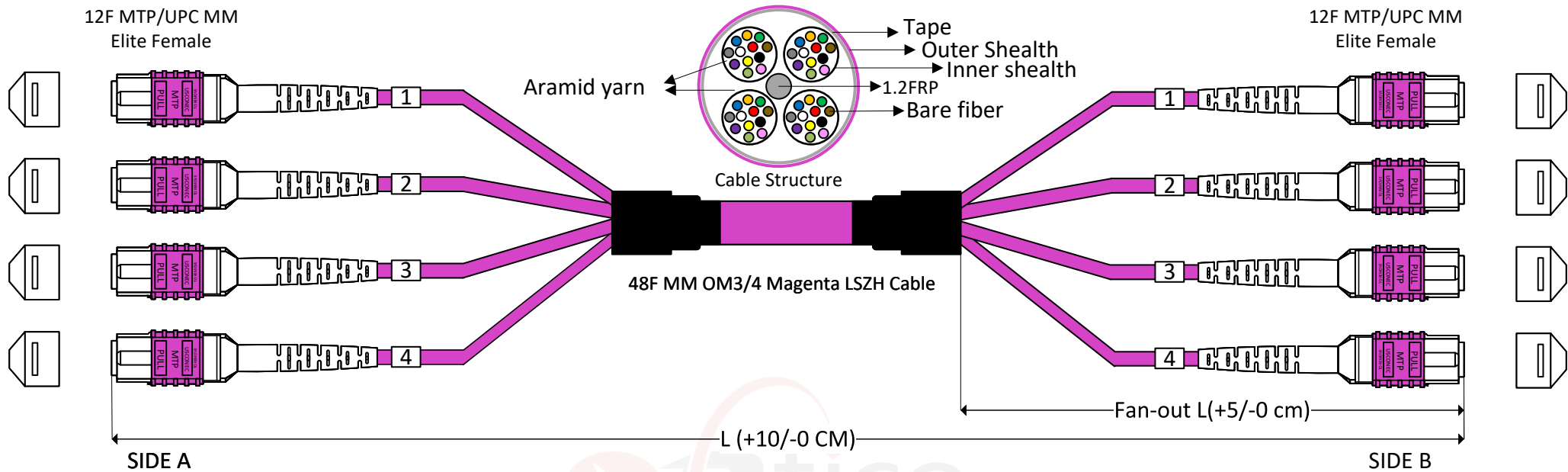
Specification:

- Low Loss IL: $\leq 0.35\text{dB}$
Ultra-low loss: $\leq 0.25\text{dB}$
- Return Loss: $\geq 35\text{dB}$
- Operation Environment: $-40\sim+85^{\circ}\text{C}$
- Storage Environment: $-40\sim+85^{\circ}\text{C}$



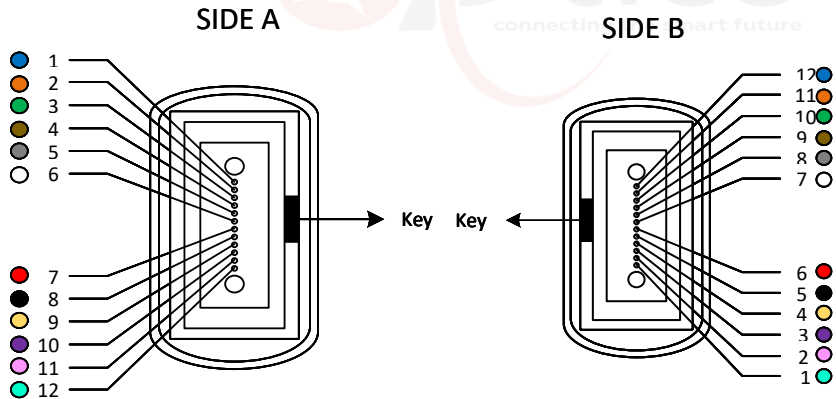
SHENZHEN OPTICO COMMUNICATION CO., LTD.

Model	4X12F MTPUPC Female-4X12F MTPUPC Female Trunk Cable Type A MM OM3/4 3.0mm Magenta LSZH CPR-Dca					OP-12F-MTPF-4x4-UPC-TFP-MM-A			
FIRST ANGLE PROJECTION	MATERIAL	UNIT	SCALE	SIZE	SHEET	DRAWN	XUELING W	DATE	2025.05.06
	LSZH	m	/	A4	1	CHECKED	Michael Liu	DATE	2025.05.06
						APPROVED	STEVEN Zhang	DATE	2025.05.06



Type B (TIA)

Fiber No.		Color
12C MTP 1/2/3/4	12C MTP 1/2/3/4	
1	12	BLUE
2	11	ORANGE
3	10	GREEN
4	9	BROWN
5	8	GRAY
6	7	WHITE
7	6	RED
8	5	BLACK
9	4	YELLOW
10	3	VIOLET
11	2	PINK
12	1	AQUA



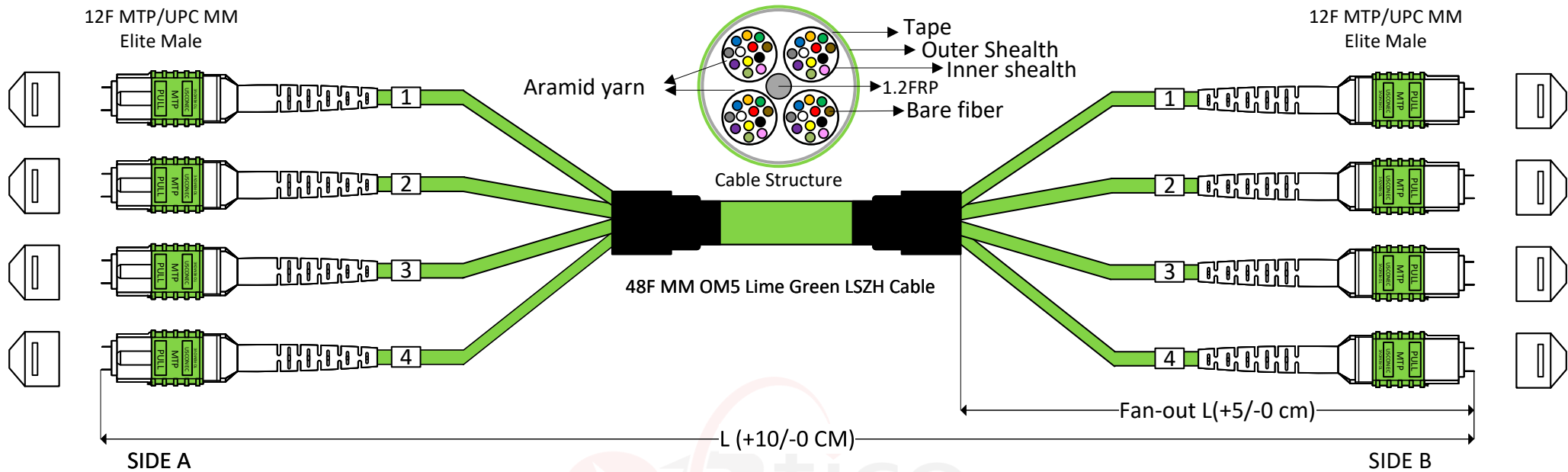
Specification:

- 1.Low Loss IL: $\leq 0.35\text{dB}$;
Ultra-low loss: $\leq 0.25\text{dB}$
- 2.Return Loss: $\geq 35\text{dB}$
- 3.Operation Environment: $-40\sim+85^{\circ}\text{C}$
- 4.Storage Environment: $-40\sim+85^{\circ}\text{C}$



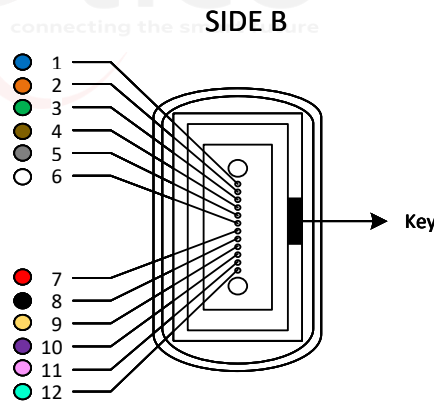
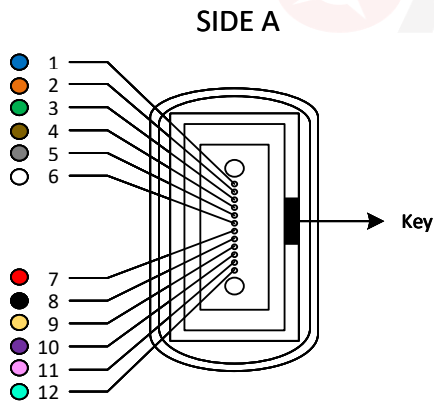
SHENZHEN OPTICO COMMUNICATION CO., LTD.

Model	4X12F MTPUPC Female-4X12F MTPUPC Female Trunk Cable Type B MM OM3/4 3.0mm Magenta LSZH CPR-Dca					OP-12F-MTPF-4x4-UPC-TFP-MM-B			
FIRST ANGLE PROJECTION	MATERIAL	UNIT	SCALE	SIZE	SHEET	DRAWN	XUELING W	DATE	2025.05.06
	LSZH	m		A4	1	CHECKED	Michael Liu	DATE	2025.05.06
						APPROVED	STEVEN Zhang	DATE	2025.05.06



Type A (TIA)

Fiber No.		Color
12C MTP 1/2/3/4	12C MTP 1/2/3/4	
1	1	BLUE
2	2	ORANGE
3	3	GREEN
4	4	BROWN
5	5	GRAY
6	6	WHITE
7	7	RED
8	8	BLACK
9	9	YELLOW
10	10	VIOLET
11	11	PINK
12	12	AQUA



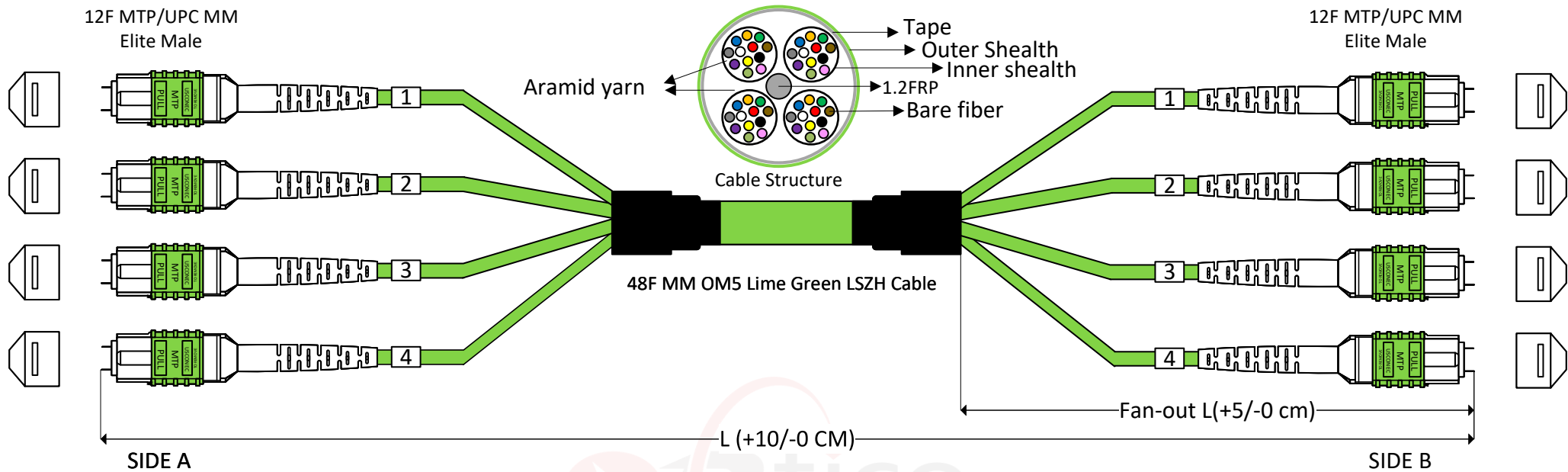
Specification:

- 1.Low Loss IL: $\leq 0.35\text{dB}$;
Ultra-low loss: $\leq 0.25\text{dB}$
- 2.Return Loss: $\geq 35\text{dB}$
- 3.Operation Environment: $-40\sim+85^{\circ}\text{C}$
- 4.Storage Environment: $-40\sim+85^{\circ}\text{C}$



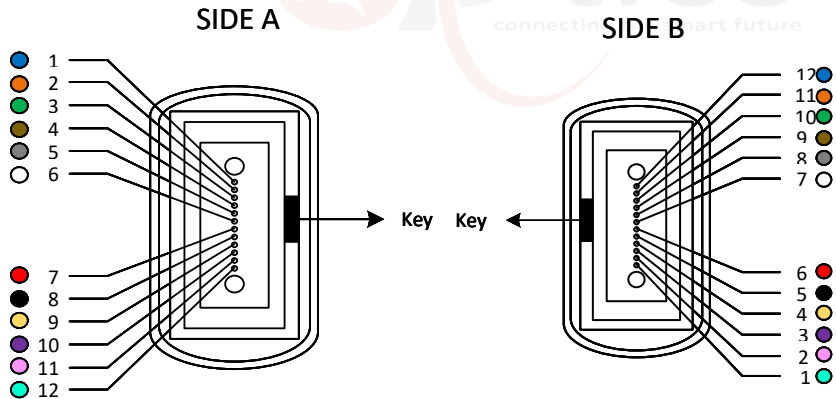
SHENZHEN OPTICO COMMUNICATION CO., LTD.

Model	4X12F MTPUPC Male-4X12F MTPUPC Male Trunk Cable Type A MM OM5 3.0mm Lime Green LSZH CPR-Dca					OP-12F-MTPM-4x4-UPC-TFP-M5-A			
FIRST ANGLE PROJECTION 	MATERIAL	UNIT	SCALE	SIZE	SHEET	DRAWN	XUELING W	DATE	2025.05.06
	LSZH	m	/	A4	1	CHECKED	Michael Liu	DATE	2025.05.06
						APPROVED	STEVEN Zhang	DATE	2025.05.06



Type B (TIA)

Fiber No.		Color
12C MTP 1/2/3/4	12C MTP 1/2/3/4	
1	12	BLUE
2	11	ORANGE
3	10	GREEN
4	9	BROWN
5	8	GRAY
6	7	WHITE
7	6	RED
8	5	BLACK
9	4	YELLOW
10	3	VIOLET
11	2	PINK
12	1	AQUA



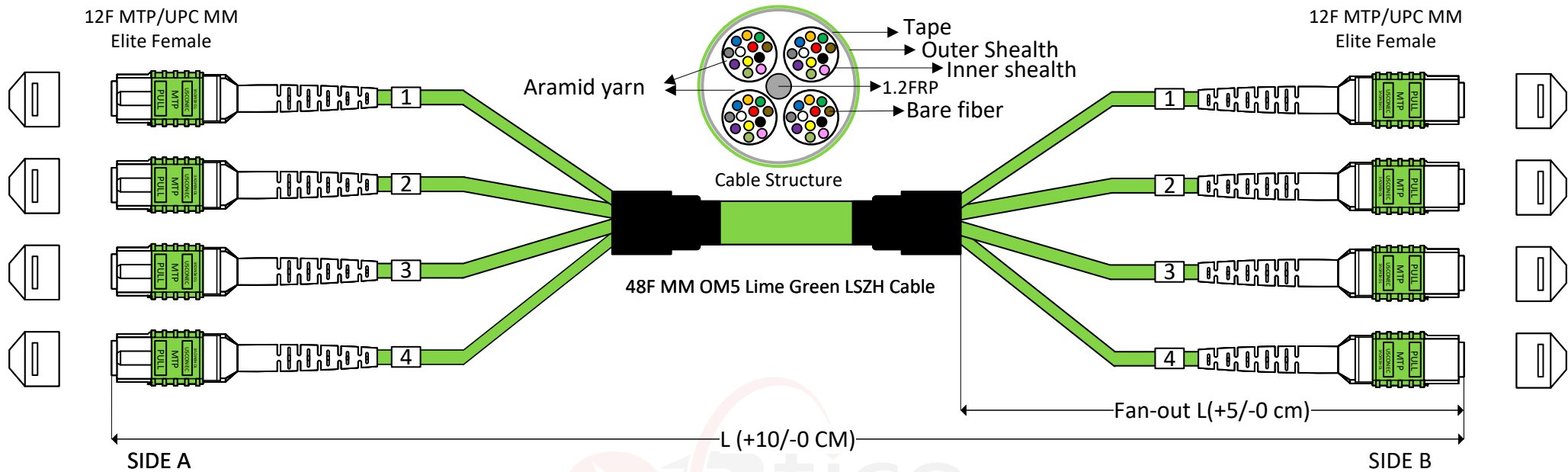
Specification:

- Low Loss IL: $\leq 0.35\text{dB}$
Ultra-low loss: $\leq 0.25\text{dB}$
- Return Loss: $\geq 35\text{dB}$
- Operation Environment: $-40\sim+85^{\circ}\text{C}$
- Storage Environment: $-40\sim+85^{\circ}\text{C}$



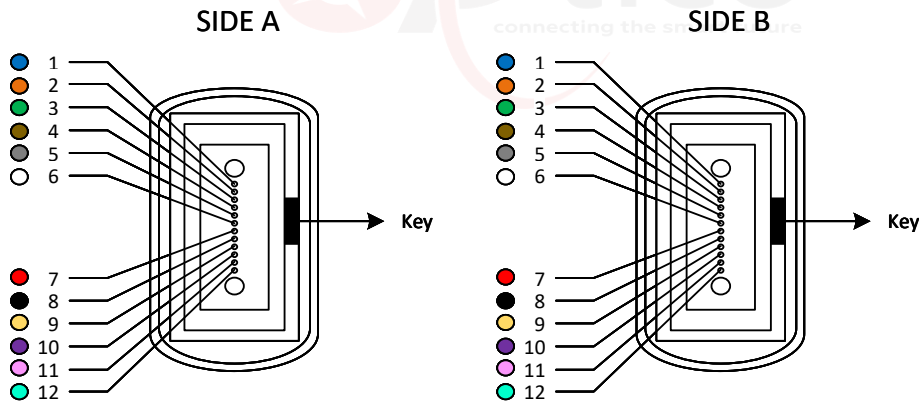
SHENZHEN OPTICO COMMUNICATION CO., LTD.

Model	4X12F MTPUPC Male-4X12F MTPUPC Male Trunk Cable Type B MM OM5 3.0mm Lime Green LSZH CPR-Dca					OP-12F-MTPM-4x4-UPC-TFP-M5-B			
FIRST ANGLE PROJECTION 	MATERIAL	UNIT	SCALE	SIZE	SHEET	DRAWN	XUELING W	DATE	2025.05.06
	LSZH	m	/	A4	1	CHECKED	Michael Liu	DATE	2025.05.06
						APPROVED	STEVEN Zhang	DATE	2025.05.06



Type A (TIA)

Fiber No.		Color
12C MTP 1/2/3/4	12C MTP 1/2/3/4	
1	1	BLUE
2	2	ORANGE
3	3	GREEN
4	4	BROWN
5	5	GRAY
6	6	WHITE
7	7	RED
8	8	BLACK
9	9	YELLOW
10	10	VIOLET
11	11	PINK
12	12	AQUA



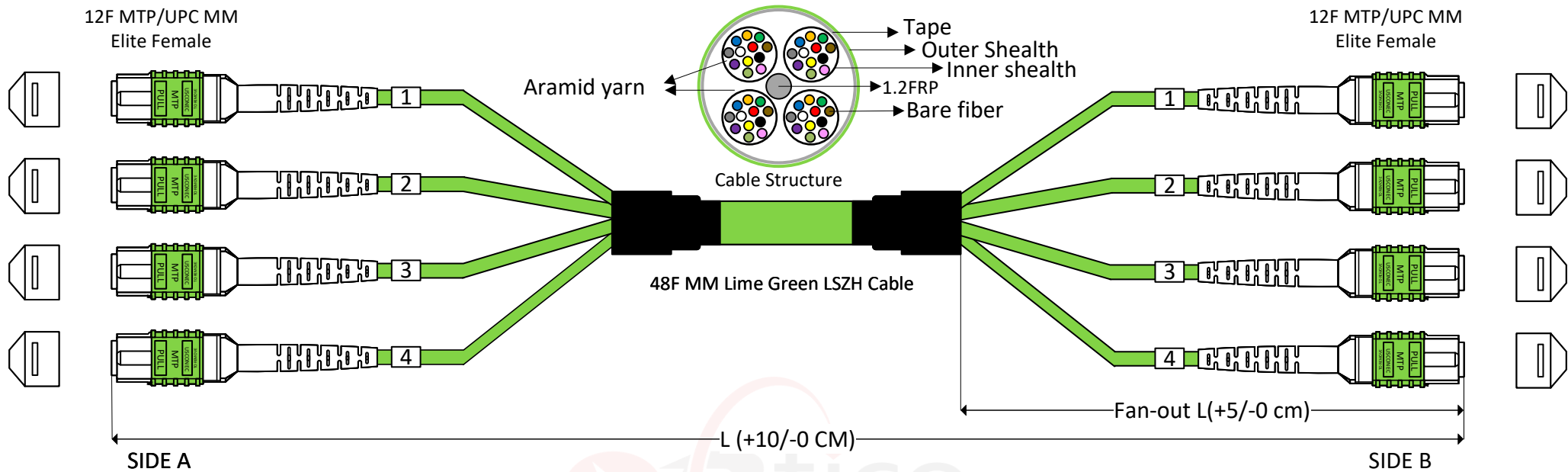
Specification:

- 1.Low Loss IL: $\leq 0.35\text{dB}$;
Ultra-low loss: $\leq 0.25\text{dB}$
- 2.Return Loss: $\geq 35\text{dB}$
- 3.Operation Environment: $-40\sim+85^{\circ}\text{C}$
- 4.Storage Environment: $-40\sim+85^{\circ}\text{C}$



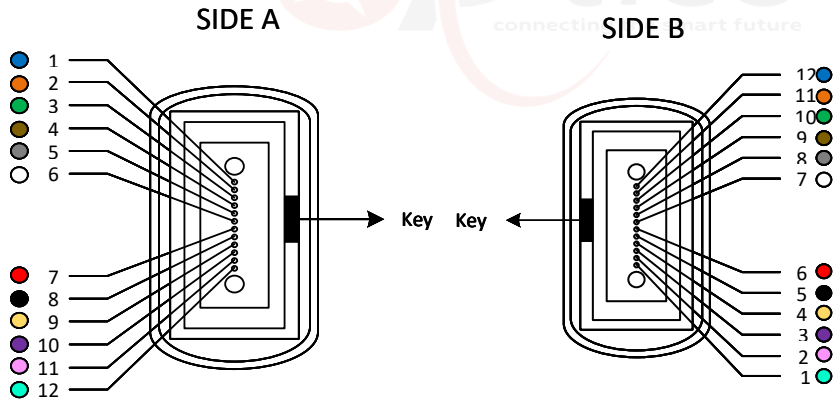
SHENZHEN OPTICO COMMUNICATION CO., LTD.

Model	4X12F MTPUPC Female-4X12F MTPUPC Female Trunk Cable Type A MM OM5 3.0mm Lime Green LSZH CPR-Dca					OP-12F-MTPF-4x4-UPC-TFP-M5-A				
FIRST ANGLE PROJECTION 	MATERIAL	UNIT	SCALE	SIZE	SHEET	DRAWN	XUELING W	DATE	2025.05.06	
	LSZH	m	/	A4	1	CHECKED	Michael Liu	DATE	2025.05.06	
						APPROVED	STEVEN Zhang	DATE	2025.05.06	



Type B (TIA)

Fiber No.		Color
12C MTP 1/2/3/4	12C MTP 1/2/3/4	
1	12	BLUE
2	11	ORANGE
3	10	GREEN
4	9	BROWN
5	8	GRAY
6	7	WHITE
7	6	RED
8	5	BLACK
9	4	YELLOW
10	3	VIOLET
11	2	PINK
12	1	AQUA



Specification:

- 1.Low Loss IL: $\leq 0.35\text{dB}$;
Ultra-low loss: $\leq 0.25\text{dB}$
- 2.Return Loss: $\geq 35\text{dB}$
- 3.Operation Environment: $-40\sim+85^{\circ}\text{C}$
- 4.Storage Environment: $-40\sim+85^{\circ}\text{C}$



SHENZHEN OPTICO COMMUNICATION CO., LTD.

Model	4X12F MTPUPC Female-4X12F MTPUPC Female Trunk Cable Type B MM OM5 3.0mm Lime Green LSZH CPR-Dca					OP-12F-MTPM-4x4-UPC-TFP-M5-B			
FIRST ANGLE PROJECTION	MATERIAL	UNIT	SCALE	SIZE	SHEET	DRAWN	XUELING W	DATE	2025.05.06
	LSZH	m	/	A4	1	CHECKED	Michael Liu	DATE	2025.05.06
						APPROVED	STEVEN Zhang	DATE	2025.05.06