
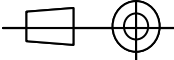
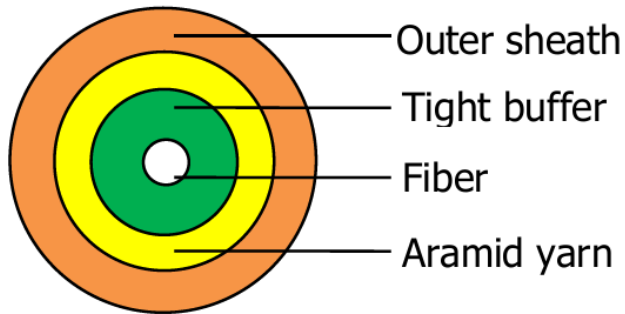
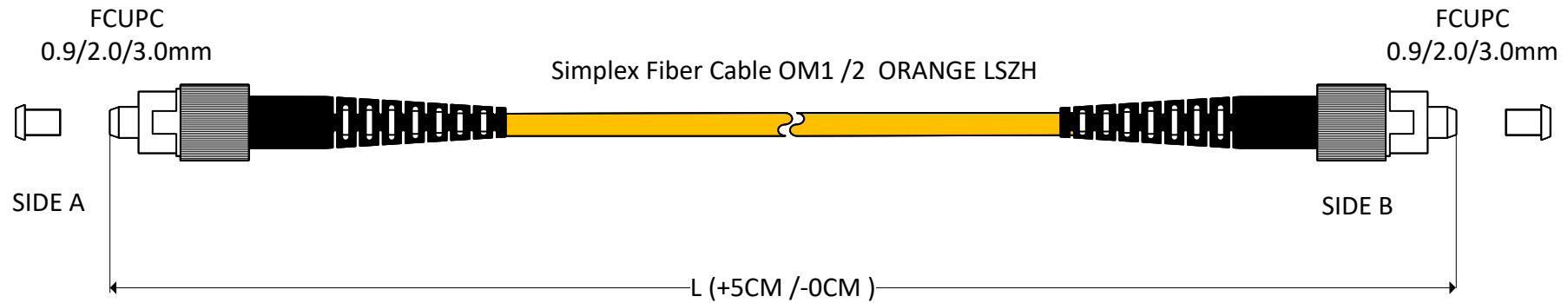


Structural Diagram

**Specification:**

- 1.Low Loss IL:  $\leq 0.25\text{dB}$
- 2.Return Loss:  $\geq 65\text{dB}$
- 3.Operation Environment:  $-40\sim+85^{\circ}\text{C}$
- 4.Storage Environment:  $-40\sim+85^{\circ}\text{C}$


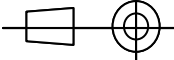
		<b>SHENZHEN OPTICO COMMUNICATION CO., LTD.</b>							
Model	FCAPC-FCAPC SM G657A2 Simplex 2.0/3.0mm Yellow LSZH CPR-Dca Cable					OP-1F-SCAPC-FP-2.0/3.0- SM-SX			
FIRST ANGLE PROJECTION 	MATERIAL	UNIT	SCALE	SIZE	SHEET	DRAWN	XUELING W	DATE	2025.04.29
	LSZH	m	/	A4	1	CHECKED	Michael Liu	DATE	2025.04.29
							APPROVED	STEVEN Zhang	DATE



Structural Diagram

**Specification:**

- 1.Low Loss IL:  $\leq 0.25\text{dB}$
- 2.Return Loss:  $\geq 35\text{dB}$
- 3.Operation Environment:  $-40\sim+85^{\circ}\text{C}$
- 4.Storage Environment:  $-40\sim+85^{\circ}\text{C}$

		<b>SHENZHEN OPTICO COMMUNICATION CO., LTD.</b>							
Model	FCUPC-FCUPC OM1/2 Simplex 2.0/3.0mm Orange LSZH CPR-Dca Cable						OP-1F-SCUPC-FP-2.0/3.0-- MM-SX		
FIRST ANGLE PROJECTION 	MATERIAL	UNIT	SCALE	SIZE	SHEET	DRAWN	XUELING W	DATE	2025.04.29
	LSZH	m	/	A4	1	CHECKED	Michael Liu	DATE	2025.04.29
							APPROVED	STEVEN Zhang	DATE