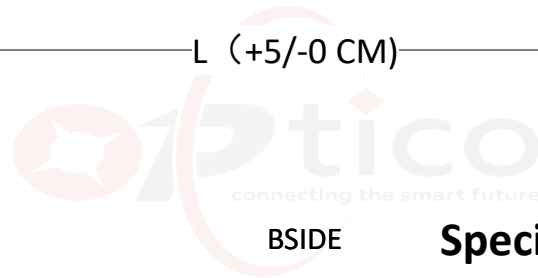

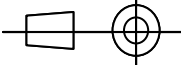


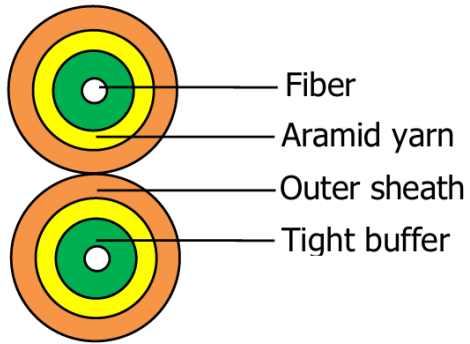
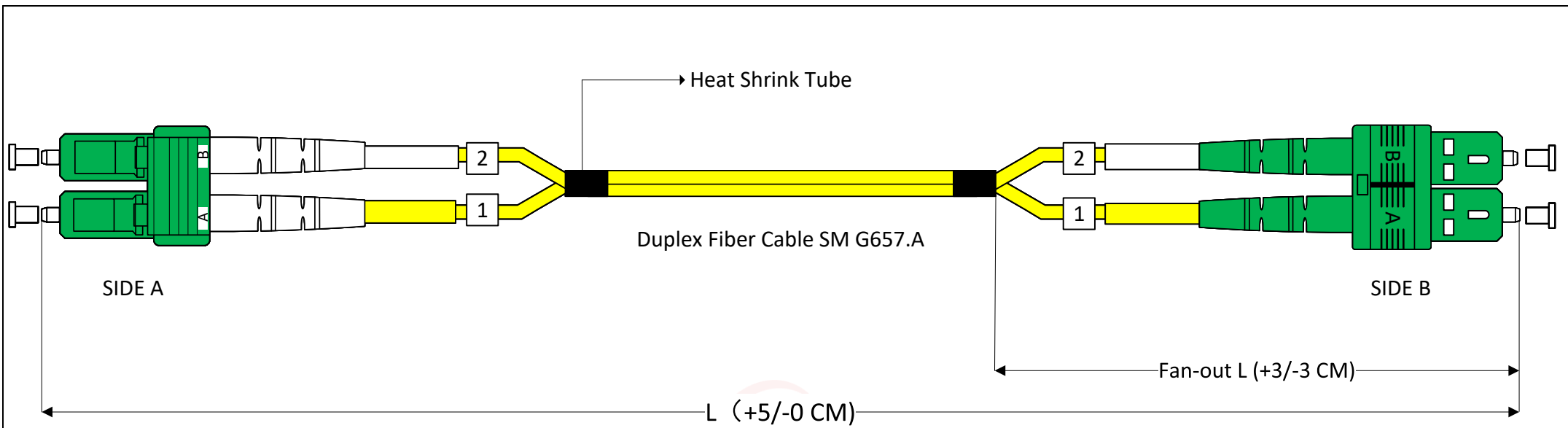
Structural Diagram



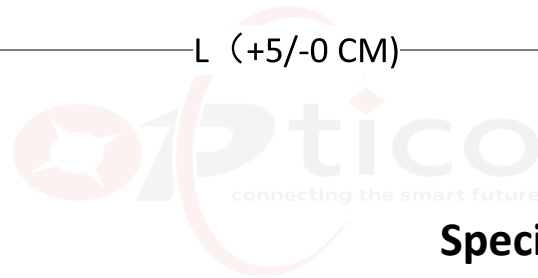
Specification:

- 1.Low Loss IL: $\leq 0.25\text{dB}$
- 2.Return Loss: $\geq 55\text{dB}$
- 3.Operation Environment: $-40\sim+85^{\circ}\text{C}$
- 4.Storage Environment: $-40\sim+85^{\circ}\text{C}$

		SHENZHEN OPTICO COMMUNICATION CO., LTD.							
Model	LCUPC-SCUPC SM G657A2 Duplex 2.0/3.0mm Yellow LSZH CPR-Dca Cable					OP-2F-LCSCU-FP-2.0/3.0- SM-DX			
FIRST ANGLE PROJECTION 	MATERIAL	UNIT	SCALE	SIZE	SHEET	DRAWN	XUELING W	DATE	2025.04.29
	LSZH	m	/	A4	1	CHECKED	Michael Liu	DATE	2025.04.29
							APPROVED	STEVEN Zhang	DATE


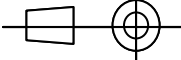


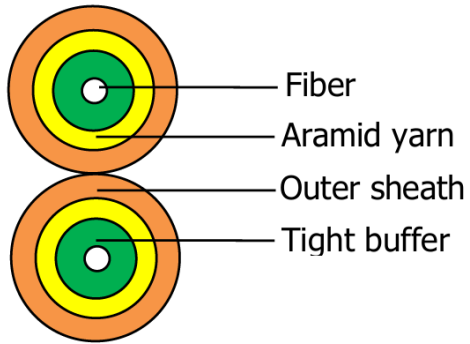
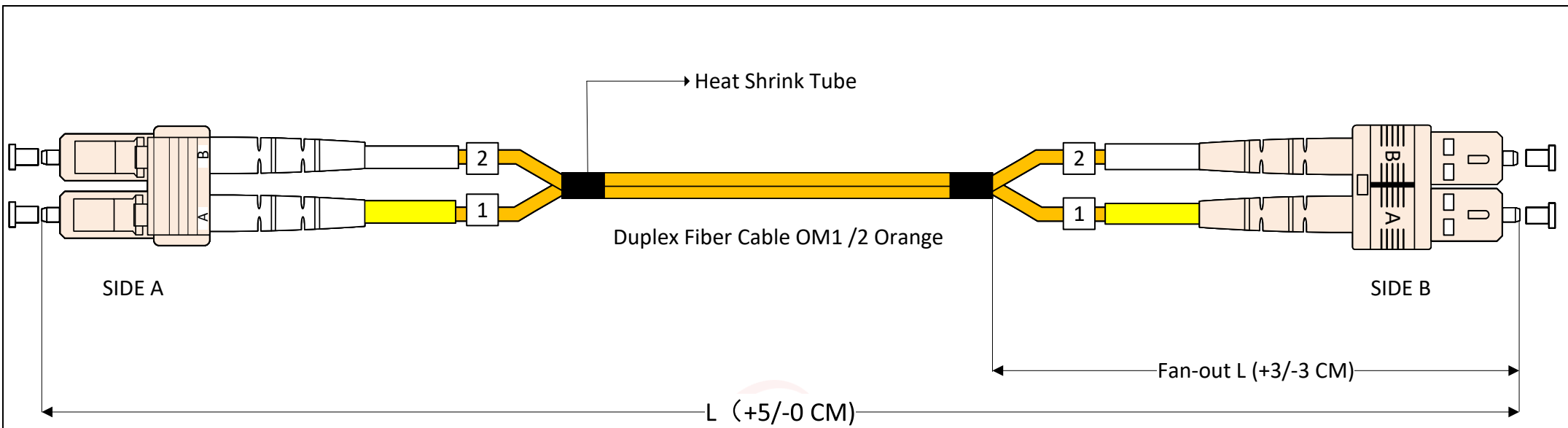
Structural Diagram



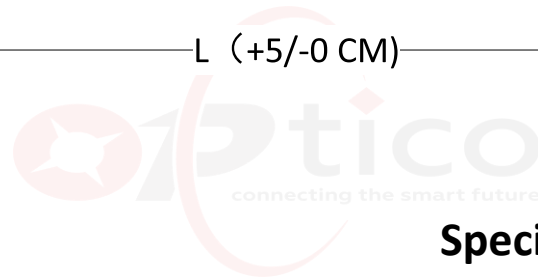
Specification:

- 1.Low Loss IL: $\leq 0.2\text{dB}$
- 2.Return Loss: $\geq 65\text{dB}$
- 3.Operation Environment: $-40\sim+85^{\circ}\text{C}$
- 4.Storage Environment: $-40\sim+85^{\circ}\text{C}$

		SHENZHEN OPTICO COMMUNICATION CO., LTD.							
Model	LCAPC-SCAPC SM G657A2 Duplex 2.0/3.0mm Yellow LSZH CPR-Dca Cable						OP-2F-LCSCA-FP-2.0/3.0-SM-DX		
FIRST ANGLE PROJECTION 	MATERIAL	UNIT	SCALE	SIZE	SHEET	DRAWN	XUELING W	DATE	2025.04.29
	LSZH	m	/	A4	1	CHECKED	Michael Liu	DATE	2025.04.29
							APPROVED	STEVEN Zhang	DATE


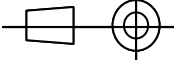


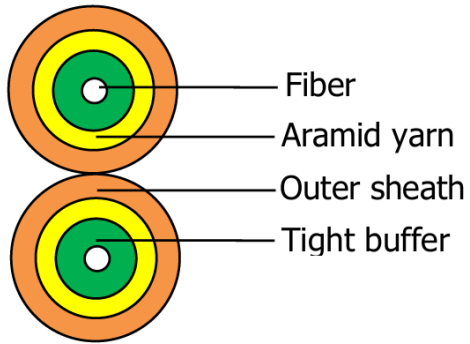
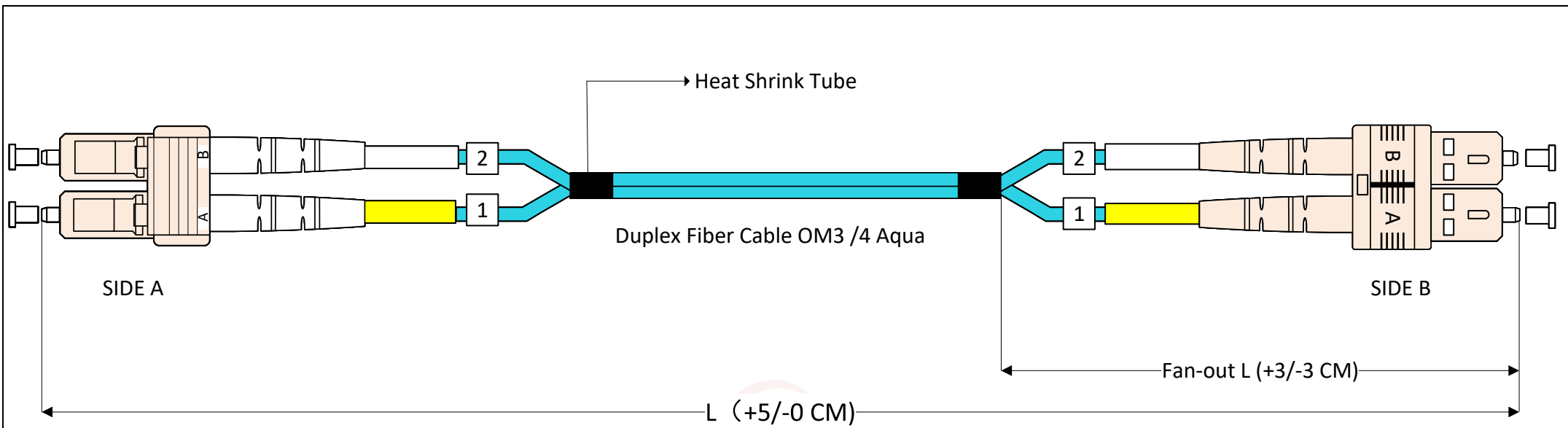
Structural Diagram



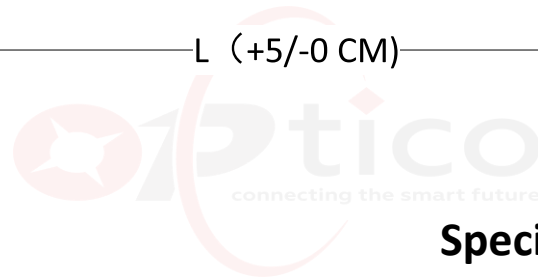
Specification:

- 1.Low Loss IL: $\leq 0.25\text{dB}$
- 2.Return Loss: $\geq 35\text{dB}$
- 3.Operation Environment: $-40\sim+85^{\circ}\text{C}$
- 4.Storage Environment: $-40\sim+85^{\circ}\text{C}$

		SHENZHEN OPTICO COMMUNICATION CO., LTD.							
Model	LCUPC-SCUPC OM1 /2 Duplex 2.0/3.0mm Orange LSZH CPR-Dca Cable					OP-2F-LSUPC-FP-2.0/3.0-M1/2-DX			
FIRST ANGLE PROJECTION 	MATERIAL	UNIT	SCALE	SIZE	SHEET	DRAWN	XUELING W	DATE	2025.04.29
	LSZH	m	/	A4	1	CHECKED	Michael Liu	DATE	2025.04.29
							APPROVED	STEVEN Zhang	DATE


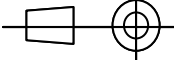


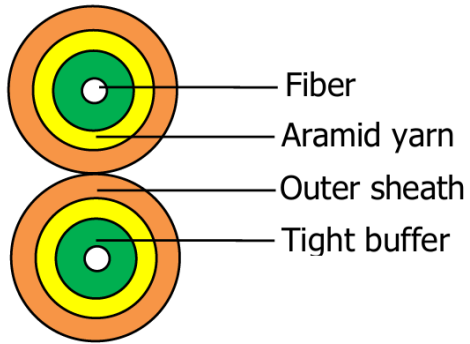
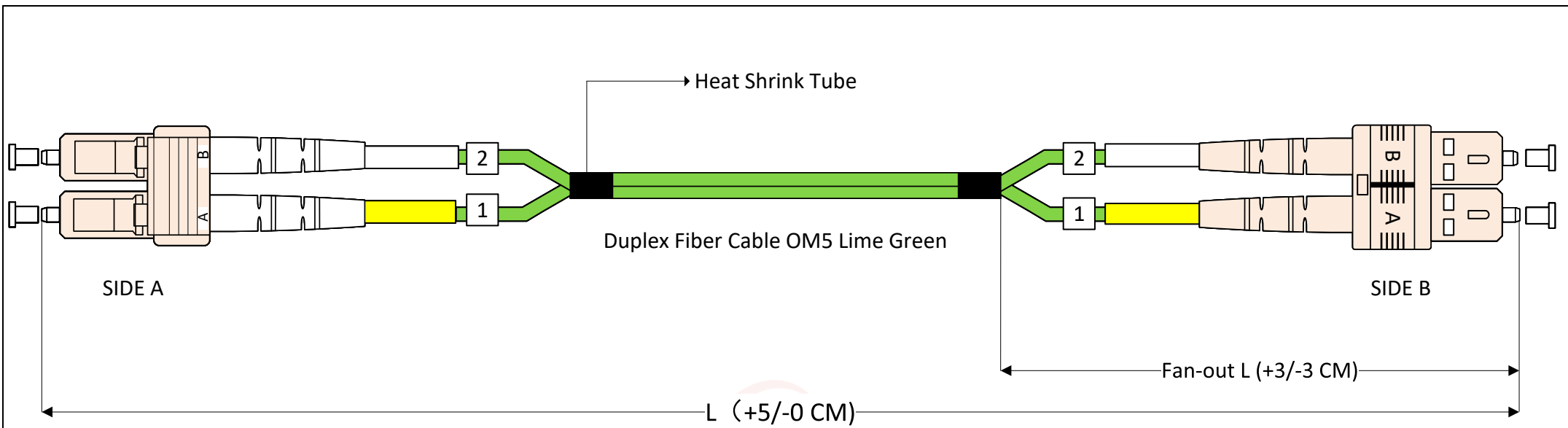
Structural Diagram



Specification:

- 1.Low Loss IL: $\leq 0.25\text{dB}$
- 2.Return Loss: $\geq 35\text{dB}$
- 3.Operation Environment: $-40\sim+85^{\circ}\text{C}$
- 4.Storage Environment: $-40\sim+85^{\circ}\text{C}$

		SHENZHEN OPTICO COMMUNICATION CO., LTD.							
Model	LCUPC-SCUPC OM3 / 4 Duplex 2.0/3.0mm Aqua LSZH CPR-Dca Cable					OP-2F-LCSCU-FP-2.0/3.0- M3/4-DX			
FIRST ANGLE PROJECTION 	MATERIAL	UNIT	SCALE	SIZE	SHEET	DRAWN	XUELING W	DATE	2025.04.29
	LSZH	m	/	A4	1	CHECKED	Michael Liu	DATE	2025.04.29
						APPROVED	STEVEN Zhang	DATE	2025.04.29


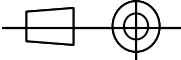


Structural Diagram



Specification:

- 1.Low Loss IL: $\leq 0.25\text{dB}$
- 2.Return Loss: $\geq 35\text{dB}$
- 3.Operation Environment: $-40\sim+85^{\circ}\text{C}$
- 4.Storage Environment: $-40\sim+85^{\circ}\text{C}$

		SHENZHEN OPTICO COMMUNICATION CO., LTD.							
Model	LCUPC-SCUPC OM5 Duplex 2.0/3.0mm Lime Green LSZH CPR-Dca Cable						OP-2F-LCSCU-FP-2.0/3.0- M5-DX		
FIRST ANGLE PROJECTION 	MATERIAL	UNIT	SCALE	SIZE	SHEET	DRAWN	XUELING W	DATE	2025.04.29
	LSZH	m	/	A4	1	CHECKED	Michael Liu	DATE	2025.04.29
							APPROVED	STEVEN Zhang	DATE