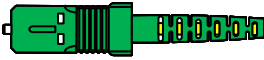

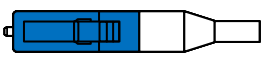

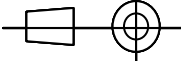
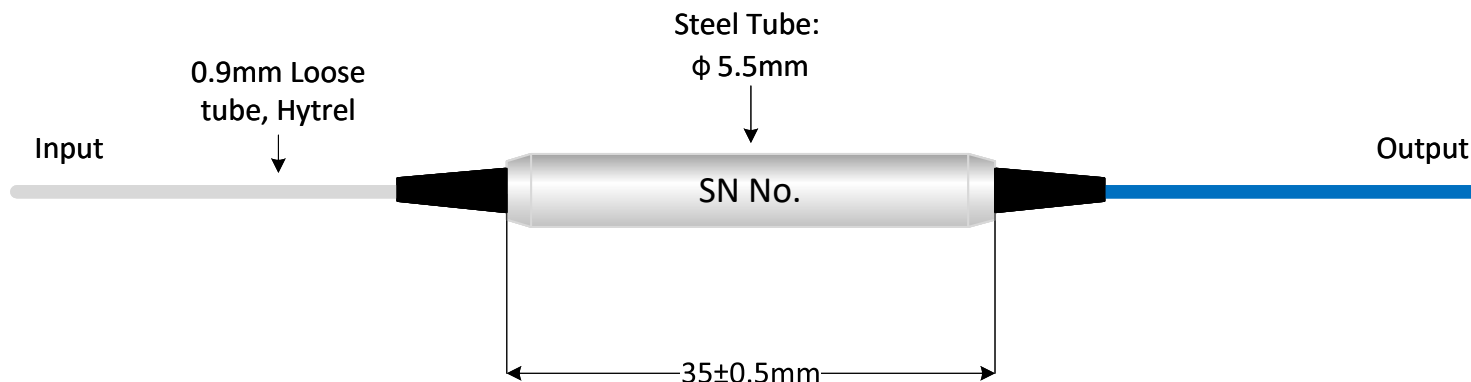


Specifications:

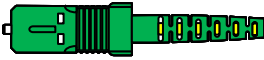


Parameter	Value	
Stage	Single	Dual
Operating wavelength	1310±15nm	
Typ. Peak Isolation@23°C	40dB	50dB
Min . Isolation@23°C	30dB	45dB
Typ. Insertion loss@23°C	0.4dB	0.5dB
Max. Insertion loss@23°C	0.7dB	0.8dB
Return loss (In/out)	>55/50dB	>55/50dB
PDL	<0.1dB	<0.1dB
PMD	0.2ps(0.05 available upon request)	
Max. Power Handling	0.3/1/3/5/10CW	
Max. Tensile Load	5N	
Fiber Type	SMF-28e/As requested	
Operating Temperature	-20~+70°C	
Storage Temperature	-40~+85°C	
Dimensions	Φ 5.5*L35mm(<10W); 60*12*8(>10W)	
Connector Type		SC
		FC
		LC
		Others




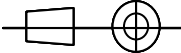
		OPTICO GROUP CO., LIMITED							
Model	1310nm Polarization Insensitive Isolator, with connectors						OP-ISOPI-S/D-1310-XXX-A2		
FIRST ANGLE PROJECTION 	MATERIAL	UNIT	SCALE	SIZE	SHEET	DRAWN	XUELING W	DATE	2025.10.16
	LSZH	m	/	A4	1	CHECKED	Zhimin C	DATE	2025.10.16
						APPROVED	Xueguan Z	DATE	2025.10.16

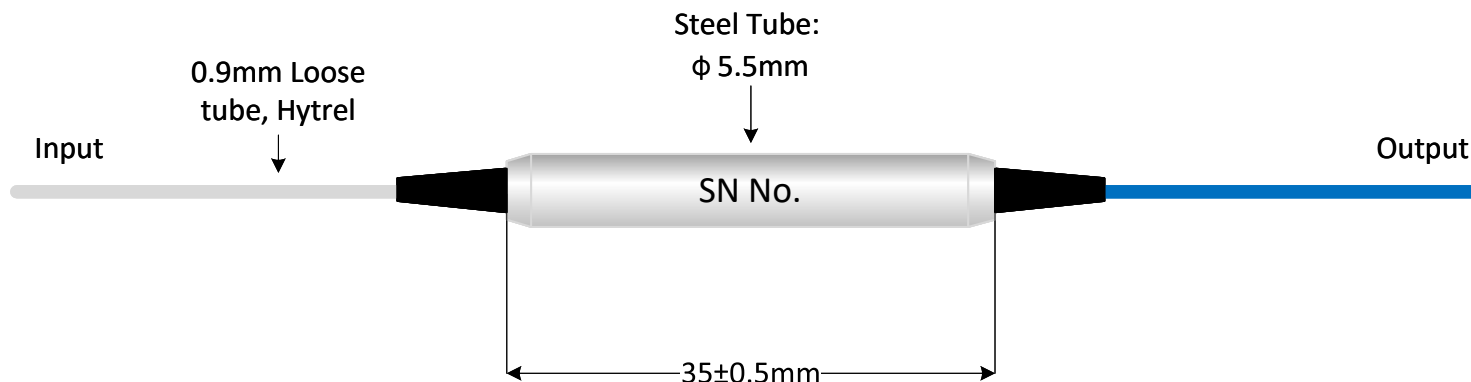


Specifications:

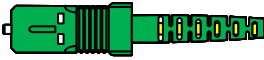

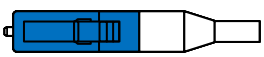
Parameter	Value	
Stage	Single	Dual
Operating wavelength	1480±15nm	
Typ. Peak Isolation@23°C	40dB	50dB
Min . Isolation@23°C	30dB	45dB
Typ. Insertion loss@23°C	0.4dB	0.5dB
Max. Insertion loss@23°C	0.7dB	0.8dB
Return loss (In/out)	>55/50dB	>55/50dB
PDL	<0.1dB	
PMD	0.2ps(0.05 available upon request)	
Max. Power Handling	0.3/1/3/5/10CW	
Max. Tensile Load	5N	
Fiber Type	SMF-28e/As requested	
Operating Temperature	-20~+70°C	
Storage Temperature	-40~+85°C	
Dimensions	Φ 5.5*L35mm(<10W); 60*12*8(>10W)	
Connector Type		SC
		FC
		LC
		Others




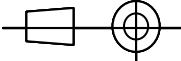
		OPTICO GROUP CO., LIMITED							
		Model	1480nm Polarization Insensitive Isolator, with connectors					OP-ISOPI-S/D-1480-XXX-A2	
FIRST ANGLE PROJECTION 	MATERIAL	UNIT	SCALE	SIZE	SHEET	DRAWN	XUELING W	DATE	2025.10.16
	LSZH	m	/	A4	1	CHECKED	Zhimin C	DATE	2025.10.16
						APPROVED	Xueguan Z	DATE	2025.10.16

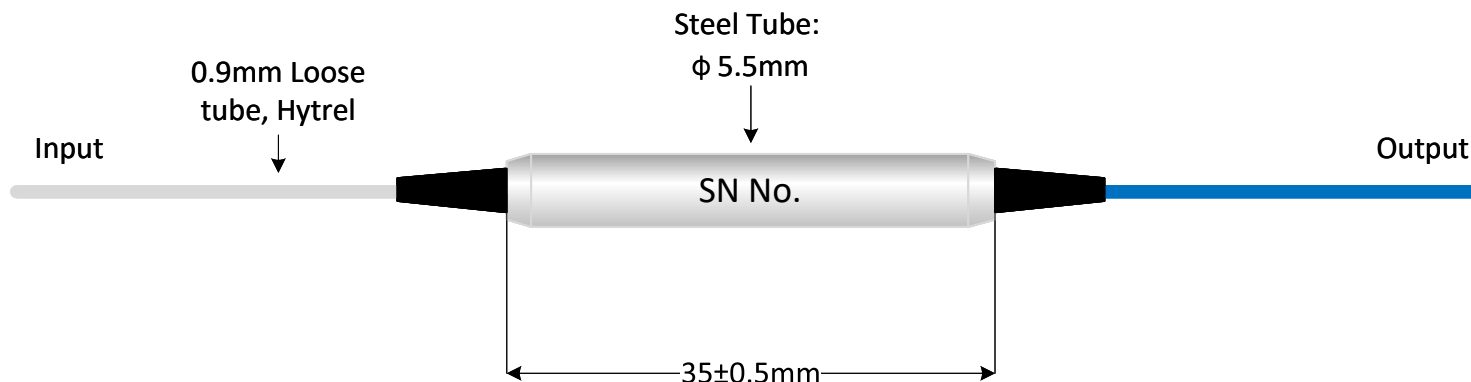


Specifications:




Parameter	Value	
Stage	Single	Dual
Operating wavelength	1550±20nm	
Typ. Peak Isolation@23°C	40dB	50dB
Min .Isolation@23°C	30dB	45dB
Typ. Insertion loss@23°C	0.4dB	0.5dB
Max. Insertion loss@23°C	0.7dB	0.8dB
Return loss (In/out)	>55/50dB	>55/50dB
PDL	<0.1dB	<0.1dB
PMD	0.2ps(0.05 available upon request)	
Max. Power Handling	0.3/1/3/5/10CW	
Max. Tensile Load	5N	
Fiber Type	SMF-28e/As requested	
Operating Temperature	-20~+70°C	
Storage Temperature	-40~+85°C	
Dimensions	Φ 5.5*L35mm(<10W); 60*12*8(>10W)	
Connector Type		SC
		FC
		LC
		Others


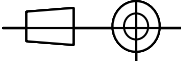


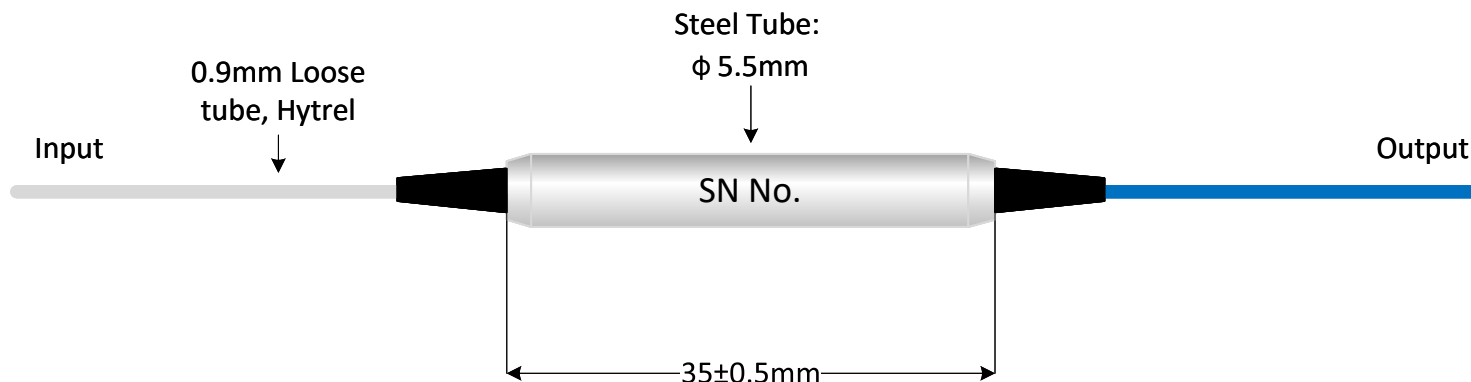
		OPTICO GROUP CO., LIMITED							
Model	1550nm Polarization Insensitive Isolator, with connectors						OP-ISOPI-S/D-1550-XXX-A2		
FIRST ANGLE PROJECTION 	MATERIAL	UNIT	SCALE	SIZE	SHEET	DRAWN	XUELING W	DATE	2025.10.16
	LSZH	m	/	A4	1	CHECKED	Zhimin C	DATE	2025.10.16
						APPROVED	Xueguan Z	DATE	2025.10.16





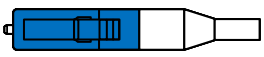
Specifications:

Parameter	Value	
Operating wavelength	1030±5nm, 1040±5nm	
Typ. Peak Isolation@23°C	26dB	24dB
Min. Isolation@23°C	23dB	21dB
Typ. Insertion loss@23°C	3.0dB	3.5dB
Max. Insertion loss@23°C	3.5dB	4.0dB
Return loss (In/out)	>55/50dB	>55/50dB
PDL	<0.1dB	<0.1dB
PMD	0.15ps	
Max. Power Handling	50mW	
Max. Tensile Load	5N	
Fiber Type	1060-XP/as requested	
Operating Temperature	0~+65°C	
Storage Temperature	-40~+85°C	
Dimensions	Φ 5.5*L35mm	
Connector Type		SC
		FC
		LC
		Others


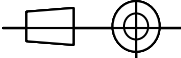
		OPTICO GROUP CO., LIMITED							
		Model	1030nm Polarization Insensitive Isolator, with connectors				OP-ISOPI-S/D-1030-XXX-A2		
FIRST ANGLE PROJECTION 	MATERIAL	UNIT	SCALE	SIZE	SHEET	DRAWN	XUELING W	DATE	2025.10.16
	LSZH	m	/	A4	1	CHECKED	Zhimin C	DATE	2025.10.16
						APPROVED	Xueguan Z	DATE	2025.10.16

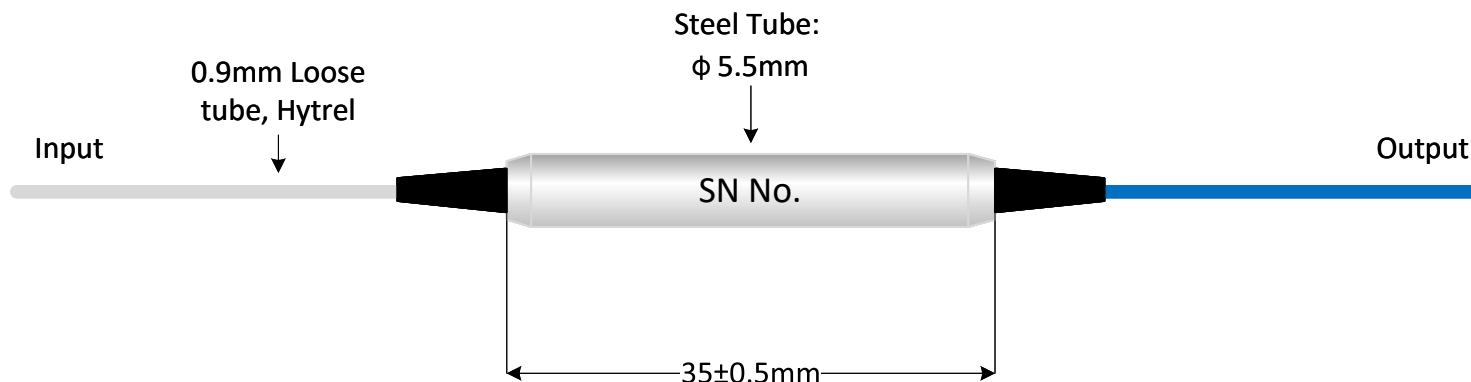


Specifications:



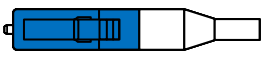
Parameter	Value	
Stage	Single	Dual
Operating wavelength	1064±5nm	
Typ. Peak Isolation@23°C	38dB	52dB
Min. Isolation@23°C	32dB	42dB
Typ. Insertion loss@23°C	1.6dB	2.6dB
Max. Insertion loss@23°C	2.2dB	3.4dB
Return loss (In/out)	>55/50dB	>55/50dB
PDL	<0.1dB	<0.1dB
PMD	0.15ps	
Max. Power Handling	200mW	100mW
Max. Tensile Load	5N	
Fiber Type	1060-XP	
Operating Temperature	0~+65°C	
Storage Temperature	-40~+85°C	
Dimensions	Φ 5.5*L35mm	
Connector Type		SC
		FC
		LC
		Others




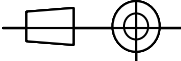
		OPTICO GROUP CO., LIMITED							
		Model	1064nm Polarization Insensitive Isolator, with connectors					OP-ISOPI-S/D-1064-XXX-A2	
FIRST ANGLE PROJECTION 	MATERIAL	UNIT	SCALE	SIZE	SHEET	DRAWN	XUELING W	DATE	2025.10.16
	LSZH	m	/	A4	1	CHECKED	Zhimin C	DATE	2025.10.16
						APPROVED	Xueguan Z	DATE	2025.10.16

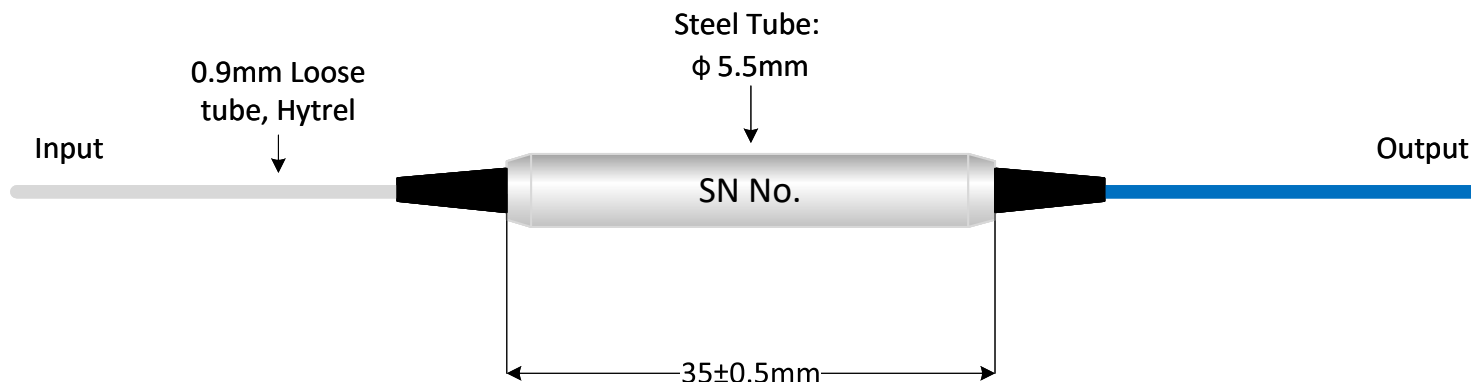


Specifications:

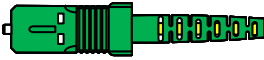


Parameter	Value	
Stage	Single	Dual
Operating wavelength	1080±5nm	
Typ. Peak Isolation@23°C	38dB	52dB
Min. Isolation@23°C	32dB	42dB
Typ. Insertion loss@23°C	1.6dB	2.6dB
Max. Insertion loss@23°C	2.2dB	3.4dB
Return loss (In/out)	>55/50dB	>55/50dB
PDL	<0.1dB	<0.1dB
PMD	0.15ps	
Max. Power Handling	200mW	100mW
Max. Tensile Load	5N	
Fiber Type	1060-XP	
Operating Temperature	0~+65°C	
Storage Temperature	-40~+85°C	
Dimensions	Φ 5.5*L35mm	
Connector Type		SC
		FC
		LC
		Others


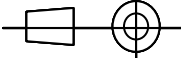


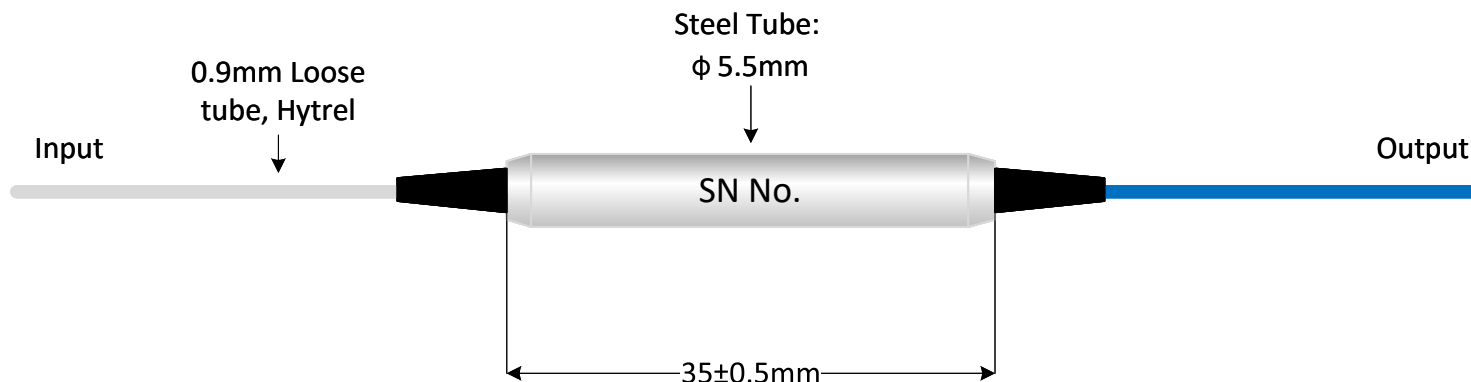
		OPTICO GROUP CO., LIMITED							
		Model	1080nm Polarization Insensitive Isolator, with connectors				OP-ISOPI-S/D-1080-XXX-A2		
FIRST ANGLE PROJECTION 	MATERIAL	UNIT	SCALE	SIZE	SHEET	DRAWN	XUELING W	DATE	2025.10.16
	LSZH	m	/	A4	1	CHECKED	Zhimin C	DATE	2025.10.16
						APPROVED	Xueguan Z	DATE	2025.10.16



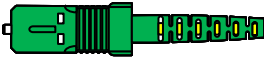

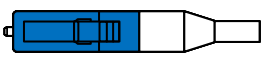
Specifications:

Parameter	Value	
Stage	Single	Dual
Operating wavelength	1940nm	
Min . Isolation@23°C	16dB	35dB
Max. Insertion loss@23°C	1.2dB	1.5dB
Return loss (In/out)	>55/50dB	>55/50dB
PDL	<0.15dB	<0.15dB
Max. Power Handling	0.3/1/3/5/10CW	
Max. Tensile Load	5N	
Fiber Type	SMF-28e/Nufern SM 1950 fiber/as requested	
Operating Temperature	-5~+70°C	
Storage Temperature	-40~+85°C	
Dimensions	Φ 5.5*L35mm(<5W); 60*12*8(>5W)	
Connector Type		SC
		FC
		LC
		Others


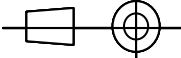
		OPTICO GROUP CO., LIMITED							
Model	1940nm Polarization Insensitive Isolator, with connectors						OP-ISOPI-S/D-1940-XXX-A2		
FIRST ANGLE PROJECTION 	MATERIAL	UNIT	SCALE	SIZE	SHEET	DRAWN	XUELING W	DATE	2025.10.16
	LSZH	m	/	A4	1	CHECKED	Zhimin C	DATE	2025.10.16
						APPROVED	Xueguan Z	DATE	2025.10.16

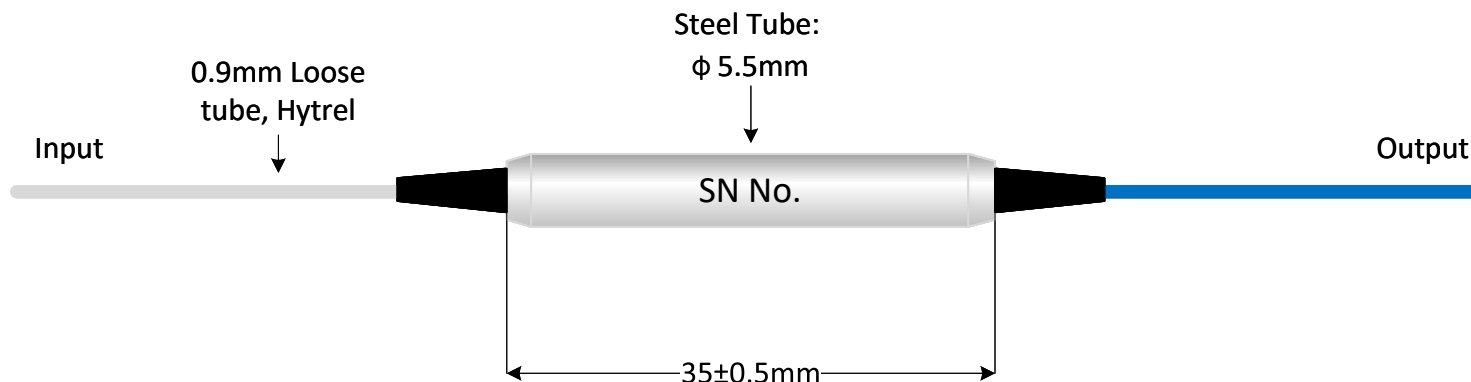


Specifications:

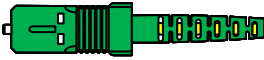


Parameter	Value	
Stage	Single	Dual
Operating wavelength	2000nm	
Min .Isolation@23°C	16dB	35dB
Max. Insertion loss@23°C	1.2dB	1.5dB
Return loss (In/out)	>55/50dB	>55/50dB
PDL	<0.15dB	<0.15dB
Max. Power Handling	0.3/1/3/5/10CW	
Max. Tensile Load	5N	
Fiber Type	SMF-28e/Nufern SM 1950 fiber/as requested	
Operating Temperature	-5~+70°C	
Storage Temperature	-40~+85°C	
Dimensions	Φ 5.5*L35mm(<5W); 60*12*8(>5W)	
Connector Type		SC
		FC
		LC
		Others


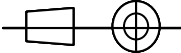


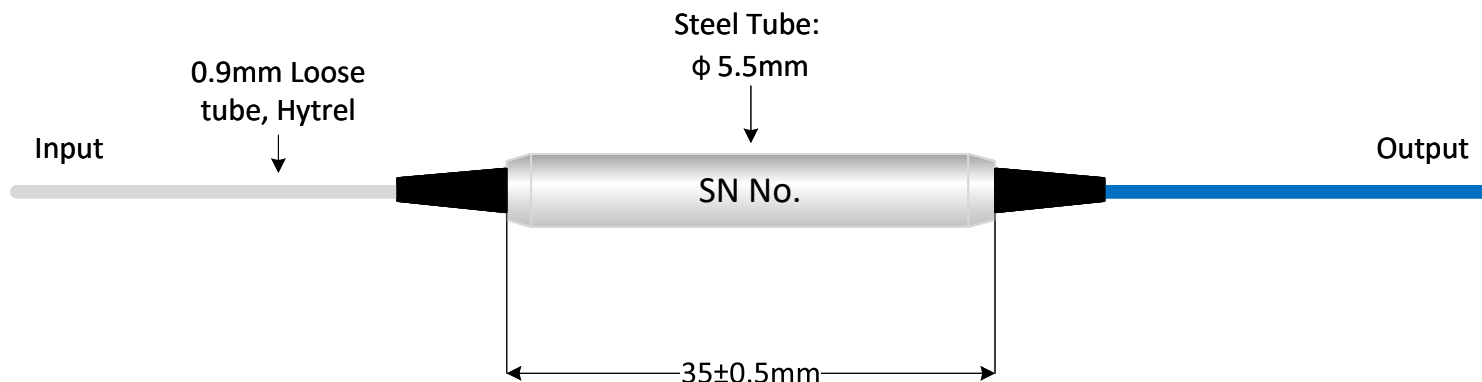
		OPTICO GROUP CO., LIMITED							
Model	2000nm Polarization Insensitive Isolator, with connectors						OP-ISOPI-S/D-2000-XXX-A2		
FIRST ANGLE PROJECTION 	MATERIAL	UNIT	SCALE	SIZE	SHEET	DRAWN	XUELING W	DATE	2025.10.16
	LSZH	m	/	A4	1	CHECKED	Zhimin C	DATE	2025.10.16
						APPROVED	Xueguan Z	DATE	2025.10.16



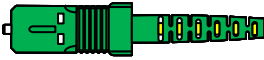

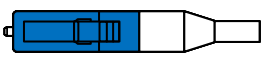
Specifications:

Parameter	Value	
Stage	Single	Dual
Operating wavelength	2050nm	
Min .Isolation@23°C	16dB	35dB
Max. Insertion loss@23°C	1.2dB	1.5dB
Return loss (In/out)	>55/50dB	>55/50dB
PDL	<0.15dB	<0.15dB
Max. Power Handling	0.3/1/3/5/10CW	
Max. Tensile Load	5N	
Fiber Type	SMF-28e/Nufern SM 1950 fiber/as requested	
Operating Temperature	-5~+70°C	
Storage Temperature	-40~+85°C	
Dimensions	Φ 5.5*L35mm(<5W); 60*12*8(>5W)	
Connector Type		SC
		FC
		LC
		Others


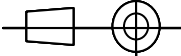
		OPTICO GROUP CO., LIMITED							
		Model	2050nm Polarization Insensitive Isolator, with connectors					OP-ISOPI-S/D-2050-XXX-A2	
FIRST ANGLE PROJECTION 	MATERIAL	UNIT	SCALE	SIZE	SHEET	DRAWN	XUELING W	DATE	2025.10.16
	LSZH	m	/	A4	1	CHECKED	Zhimin C	DATE	2025.10.16
						APPROVED	Xueguan Z	DATE	2025.10.16



Specifications:

Parameter	Value	
Stage	Single	Dual
Operating wavelength	L-band±15nm	
Typ. Peak Isolation@23°C	33dB	40dB
Min. Isolation@23°C	26dB	36dB
Typ. Insertion loss@23°C	0.4dB	0.5dB
Max. Insertion loss@23°C	0.7dB	0.8dB
Return loss (In/out)	>55/50dB	>55/50dB
PDL	<0.1dB	<0.1dB
PMD	0.2ps(0.05 available upon request)	
Max. Power Handling	0.3/1/3/5/10CW	
Max. Tensile Load	5N	
Fiber Type	SMF-28e/As requested	
Operating Temperature	-20~+70°C	
Storage Temperature	-40~+85°C	
Dimensions	Φ 5.5*L35mm(<10W); 60*12*8(>10W)	
Connector Type		SC
		FC
		LC
		Others



		OPTICO GROUP CO., LIMITED							
		Model	L-band Polarization Insensitive Isolator, with connectors					OP-ISOPI-S/D-L-XXX-A2	
FIRST ANGLE PROJECTION 	MATERIAL	UNIT	SCALE	SIZE	SHEET	DRAWN	XUELING W	DATE	2025.10.16
	LSZH	m	/	A4	1	CHECKED	Zhimin C	DATE	2025.10.16
						APPROVED	Xueguan Z	DATE	2025.10.16